



CEILING  
TRAP DOORS  
CTD024  
CTD024A  
CTD023(H)

[www.iqubx.com](http://www.iqubx.com)



**CEILING  
TRAP DOORS  
CTD024  
CTD024A**

[iqubx.com/access-ceiling-trap-door/](http://iqubx.com/access-ceiling-trap-door/)

IQUBX Access Ceiling Trap Door CTD024 is a GREENPRO certified (by IGBC, CII) access panel door system or a roof hatch, designed to be of a flexible size as per requirement.

CTD024A has acoustic insulation gasket and a lay-in type construction

**ALL MODELS IN ANY SIZE  
POWDER COAT / ANODIZE**

**Benefits & advantages of CTD024**

They can be made to big sizes – upto 8' long. For instance, even 8' x 4'. Big frames & shutter are reinforced with stiffeners to prevent warping

IQUBX CTD incorporate a proprietary multi-functional stiffener section to strengthen bigger shutters and frames. It is also used as allen locks platform & as sliding hinge channel

Only a uniform 2.5mm groove all around due to innovative sliding hinge, making it blend seamlessly with the ceiling

They are made of a size exactly as per requirement of the client. For instance 467 x 1260 mm. All trap doors are fabricated to exact size with minium TAT

Very safe - shutters are secured with steel wire & locked with allen key lock. Sliding hinge doesn't allow shutters to fall but shutters can be easily removed if desired, for better access above ceiling

They are certified Greenpro by IGBC. The only green certified ceiling trap doors in the country



view from above ceiling side



allenkey lock with firm platform

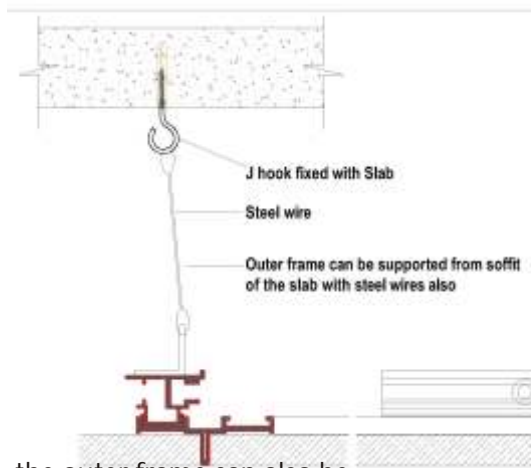


innovative bolt hinge allows access panel shutter movement for zero gap groove and complete removal of access panel door

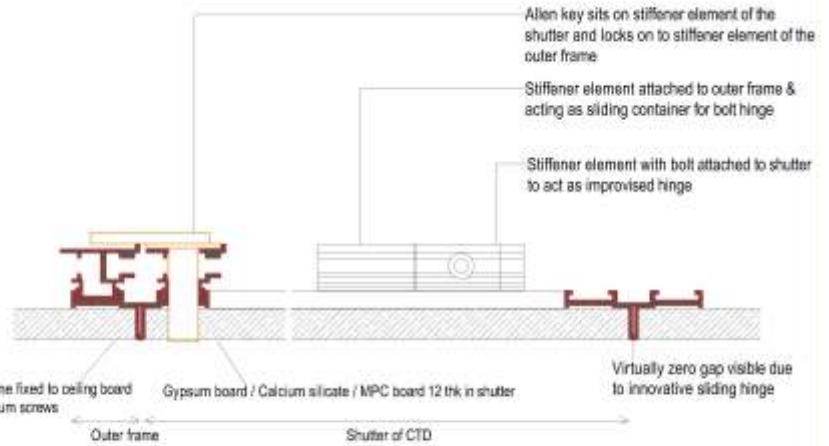


**IQUBX CTD024  
CEILING TRAP DOOR**

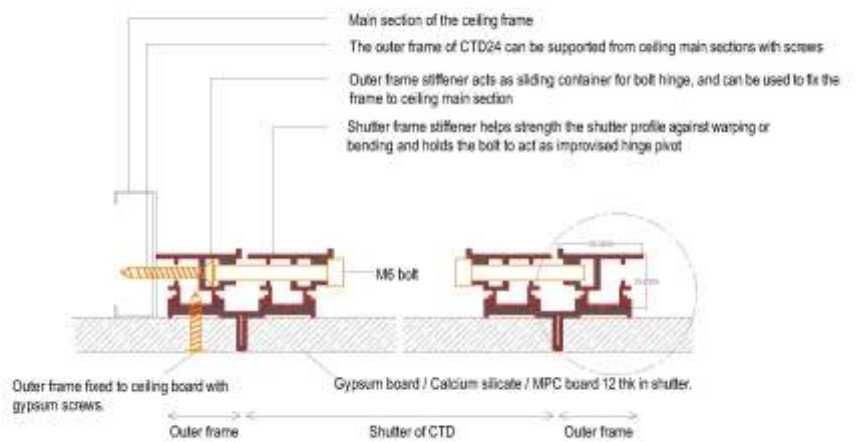




the outer frame can also be fixed to soffit of slab as an option



**Typical section of CTD024**  
Allen key lock detail and bolt hinge side view



**Typical section of CTD024**  
Hinge bolt detail and fixing to ceiling frame

## Technical Data

Main ceiling frame & shutter section 26 x 19 mm

Stiffener lock hinge section 30 x 19 mm

Shutter panel material options, total thickness 12 mm

Gypsum board

Calcium silicate board

Aluminium composite panel (ACP) with prelam particle board backing

Prelam particle board

Wood Polymer composite (WPC) board

Mineral Polymer composite (MPC) board

All components are raw mill finish and can be powder coated in any powder coat color or anodized

The frames are fabricated as per specified sizes of the client requirement. We can supply very large sizes as well.

GREENPRO certified, made of 6063 aluminium alloy, 100% recycled aluminium - 10% pre-consumer & 90% post-consumer

This system doesn't have flanges and can accommodate 12mm board in access door for a 12mm thick board finished ceiling. The 12mm board can be gypsum board, calcium silicate board, prelaminated particle board, MDF or even cement board like bison board or ACP sheet. Some architects have used laminate finish with grooves in ceiling to achieve wonderful effect as well.

It consists of an Inner Frame and an Outer Frame. Both the frames are completely flexible for any size requirement. Material for the frame is Aluminium and the finish can be anodized or powder coated as desired by the client.

The outer frame of the ceiling trapdoor is supported on the surrounding ceiling frame, or still better, secured to the soffit of the slab with an additional frames work or hangars. The cover panel door can be secured to the outer frame with Allen key system using cleats.

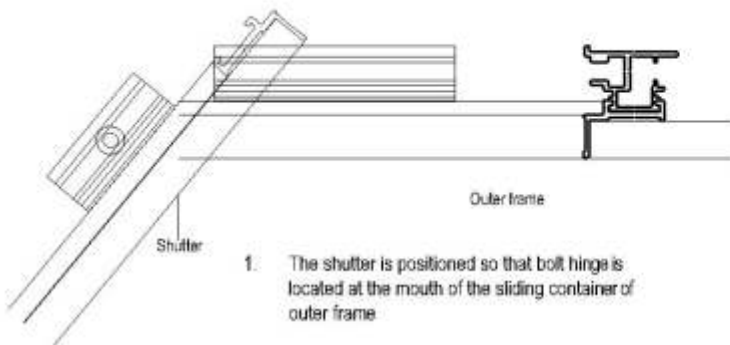
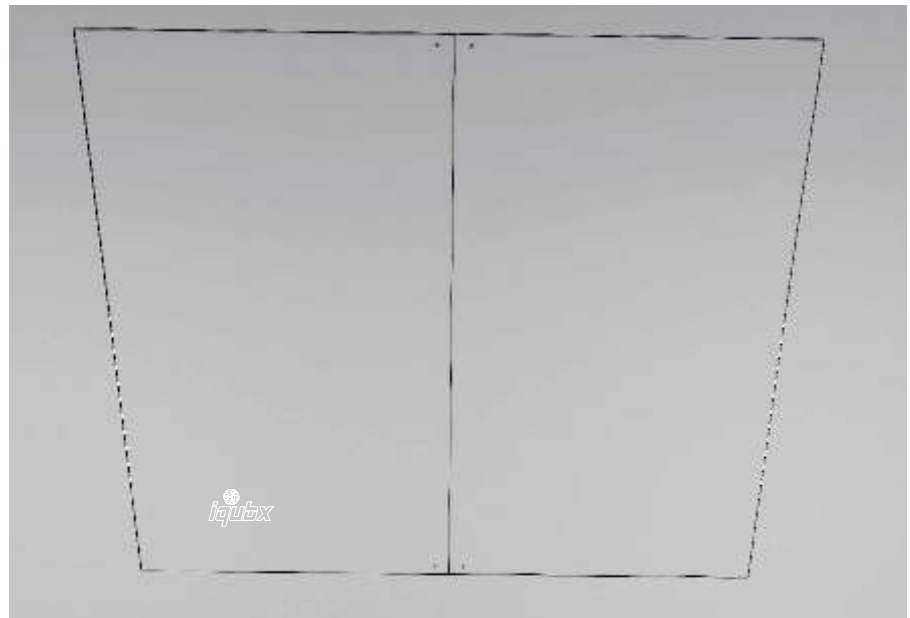


**IQUBX CTD024**  
**CEILING TRAP DOOR**  
**WITH LOUVRES**

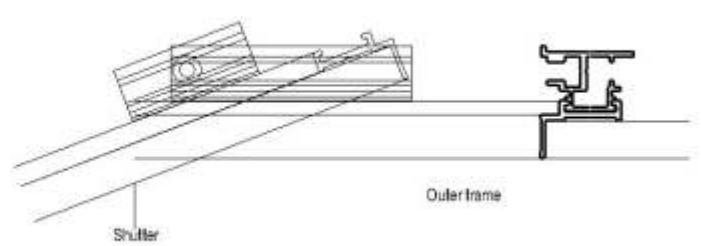


There is minimum groove of just 2.5 mm between inner and outer frames due to innovative sliding hinge

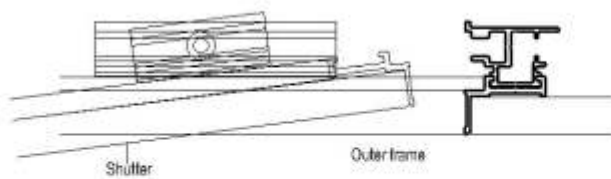
The shutter can be slid into the hinge stiffener channel on outer frame very easily. This allows minimum gap as well as provides safety by preventing shutter to fall down. However, the shutter can be removed easily, if required, by sliding it completely out of the hinge channel



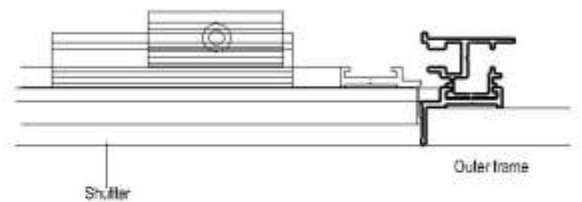
1. The shutter is positioned so that bolt hinge is located at the mouth of the sliding container of outer frame



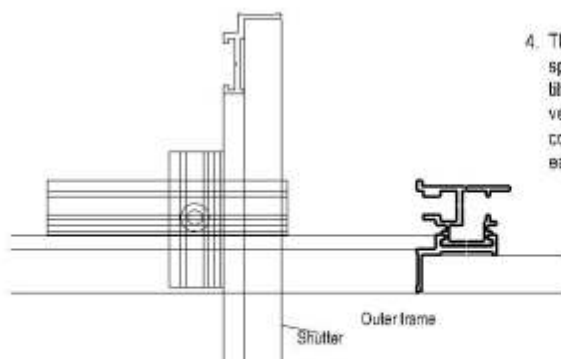
2a. The shutter is pushed forward and inclined slightly and gradually horizontally



2b. The shutter is pushed forward and inclined slightly and gradually horizontally



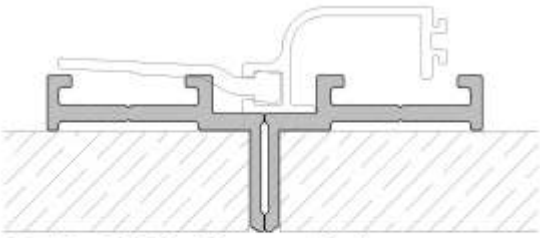
3. The shutter is slid carefully with help of bolt hinge in the sliding container and it fits snugly without any gaps in to the outer frame



4. The shutter can be opened for accessing the space above, by sliding it back and gradually tilting it and allowed to hang carefully vertically. The shutter can be removed completely by sliding it out of the outer frame easily

**How to slide and lock the CTD024 shutter to its frame A**

CTD024A is an acoustic variant with acoustic gasket all around in the shutter channel which closes the gap between the frames completely. This model doesn't have hinges and has lay-in type shutters



### CTD-024A (Acoustic)

Lay-in type shutter with rubber gasket reduces sound transmission through groove from above ceiling equipment

CTD024 system has been designed to be flexible that it allows quick assembly of versatile components into a complete trap door as per the client size requirements. There are no standard sizes, and we can supply in odd sizes e.g. 457 x 1937 mm etc as per size by client.

The multi-functional versatile stiffener is a proprietary design of IQUBX and can be assembled on outer as well as inner shutter frame as per the strength requirements like the size of shutters and the infill material therein.

This flexible system allows quite big sizes to be assembled and installed with minimum groove of just 2.5 mm, without compromising on strength. We have supplied sizes as big as 2400 x 1200 or even 2400 x 1500 mm.



stiffener along entire shutter sections to strengthen big size shutters





# CEILING TRAP DOORS CTD023 (H)

[iqubx.com/access-ceiling-trap-door/](http://iqubx.com/access-ceiling-trap-door/)

## Technical Data

Inner frame section 26 x 20 mm  
Outer frame section 18 x 20 mm  
Shutter panel material options, thickness 10 mm  
Gypsum board  
Calcium silicate board  
Aluminium composite panel (ACP) with prelam particle board backing  
Prelam particle board  
Wood Polymer composite (WPC) board  
Mineral Polymer composite (MPC) board

Powder coat / Anodize finish

The frames are fabricated as per specified sizes of the client requirement. We can supply very large sizes as well.

GREENPRO certified, made of 6063 aluminium alloy, 100% recycled aluminium - 10% pre-consumer & 90% post-consumer

IQUBX CTD023 (patent applied) Ceiling trapdoors are completely modular and flexible in sizes and a GREENPRO certified (by IGBC, CII) access panel door system.

This design has small flanges on inner and outer side. They can be used for gypsum board ceilings, however, they are highly recommended for POP false ceiling where fixing it is amazingly easy, as they are fitted from below due to flange system. For same reason, they can be retrofitted in existing ceilings easily.

The sturdy frame ensures the trap door system is strong and can be made into big sizes without fear of failing or falling. All the designs and variants can have single or double lids and can be hinged.

CTD023 has good acoustic insulation from above ceiling equipment noise since the groove is covered.



They come in essentially two variations.

Basic CTD023 trap doors have the access panel door hung by chains and supported by multiple allen keys. One can perform small tasks by just opening the locks and keeping the trapdoor hung with the chains. Or for major tasks, it can be open from two chains and can be hung with two chains only to provide proper access to the ceiling. And the best advantage of this access ceiling trapdoor is that the trapdoor can be completely removed from the ceiling to perform major tasks with AC ducts or piping or any electrical work.

The four-chain hanging system provides a better functionality with bigger sizes of a trapdoor. And helps in transferring a load of trapdoor directly to the roof rather than putting a load on the ceiling in the open condition of the trapdoor.

CTD023H has a unique proprietary continuous aluminium extrusion based hinge which is very strong and make them virtually fail proof and very easy to operate. The hinge is visible but aesthetically pleasing.

