



Best way to make

Modular covid care centres & hospitals

Innovative Modular interior systems
with Cutting edge modular designs for post covid 19 era



www.iqubx.com

IQUBX Innovative GREEN CERTIFIED MODULAR FURNITURE & INTERIOR SYSTEMS

Manufacturers of largest
number of **green certified**
modular interior systems in
India



design in India **make in India**



Certified greenpro by
Indian Green Building
Council, IIGBC

INFRA DEVELOPMENT SOLUTIONS WITH PANDEMIC FOCUS

CUTTING EDGE design

Modular – HIGH LEVEL OF CUSTOMIZATION

ULTRA FAST INSTALLATION

Minimum labour requirement

Relocatable & Modifiable for future req

Minimum components & Logistics

Long life cycle

Easy maintenance – EASY ACCESS TO BUILDING MAINTENANCE

Antimicrobial & Non-rust

VERY OPTIMAL COST

Green certified

Recyclable



DRYWALL CLADDING ROOM PARTITION WALLS SYSTEM

VISIT SITE [HTTPS://IQUBX.COM/DRY-WALL-CLADDING-ROOM-PARTITION](https://iqubx.com/dry-wall-cladding-room-partition)

KEY FEATURES AND ADVANTAGES

- Certified GREENPRO by IGBC, CII
- **Very fast to erect**
- **Highly modular, can be relocated any time, with ease**
- Specially designed for **stone and tile finish**, can accommodate other skins like **bison, HPL** etc
- **Highly engineered sections of framework allows**
 - Very strong and durable frame with strong joinery which is completely dry
 - Very high quality detailing, finish and flexible aesthetics
- **Minimum joints in panels with highly washable maintenance free surfaces of stone / HPL are ideal for germ free environment. Aluminium has natural antimicrobial properties**
- Allows maintenance and post construction installation of services behind the skin panel.
- Ideal for making the **wet areas like Toilet and pantry blocks** ultra fast
- **Best for fast erection and creation of hospital halls and rooms in covid hospitals, and can be dismantled in future for restricting the spaces or complete relocation to other project, saving huge time and money**



*Watch
video*

**a NEW WAY to
BUILD WALLS
FASTER & CHEAPER**











CEILING TRAP DOORS

VISIT SITE [HTTPS://IQUBX.COM/ACCESS-CEILING-TRAP-DOOR/](https://iqubx.com/access-ceiling-trap-door/)

DOWNLOAD BROCHURE [HTTPS://IQUBX.COM/DOWNLOAD/2231/](https://iqubx.com/download/2231/)

KEY FEATURES AND ADVANTAGES

- Only trap doors which have been certified **GREENPRO** by IGBC, CII
- Various models available, in any size, in very big sizes upto 8'X4'
- Very strong and durable, due to unique stiffening element doesn't allow large doors to warp/ sag even for big sizes
- Very safe, unique innovative hinges do not allow shutters to fall
- Maintenance free, CTD24 available with only 2mm groove visible, CTD23 available for very safe and secure high usage trapdoors
- Ideal for hospitals for easy access to services above ceiling



view from above ceiling side



allenkey lock with firm platform



Innovative bolt hinge allows access panel shutter movement for zero gap groove and complete removal of access panel door



IQUBX CTD024 CEILING TRAP DOOR





**IQUBX CTD024
CEILING TRAP DOOR
WITH LOUVRES**







DEMOUNTABLE PANELING & PARTITION SYSTEM

VISIT SITE [HTTPS://IQUBX.COM/MODULAR-ALUMINIUM-DEMOUNTABLE-PARTITION-WALL-SYSTEM/](https://iqubx.com/modular-aluminium-demountable-partition-wall-system/)

DOWNLOAD BROCHURE [HTTPS://IQUBX.COM/DOWNLOAD/2310/](https://iqubx.com/download/2310/)

KEY FEATURES AND ADVANTAGES

- Certified GREENPRO by IGBC, CII
- Unique modular design with
 - **very fast installation of room partitions**
 - easily removable/ changeable panels for easy maintenance and design modification
 - High acoustic performance
- Various panel finishes including acoustic board/ cork / pre-laminated board/ lacquered glass or boards with various finishes can be used. Groove from 0-12 mm possible
- **Unique design with continuous vertical cavity for electrical conduits, plumbing pipes and continuous acoustic insulation for superior acoustics**
- The same systems can be used for paneling or can be doubled to create a partition for uniform aesthetics
- **Ideal for office cabins, nurse stations, doctor rooms etc**



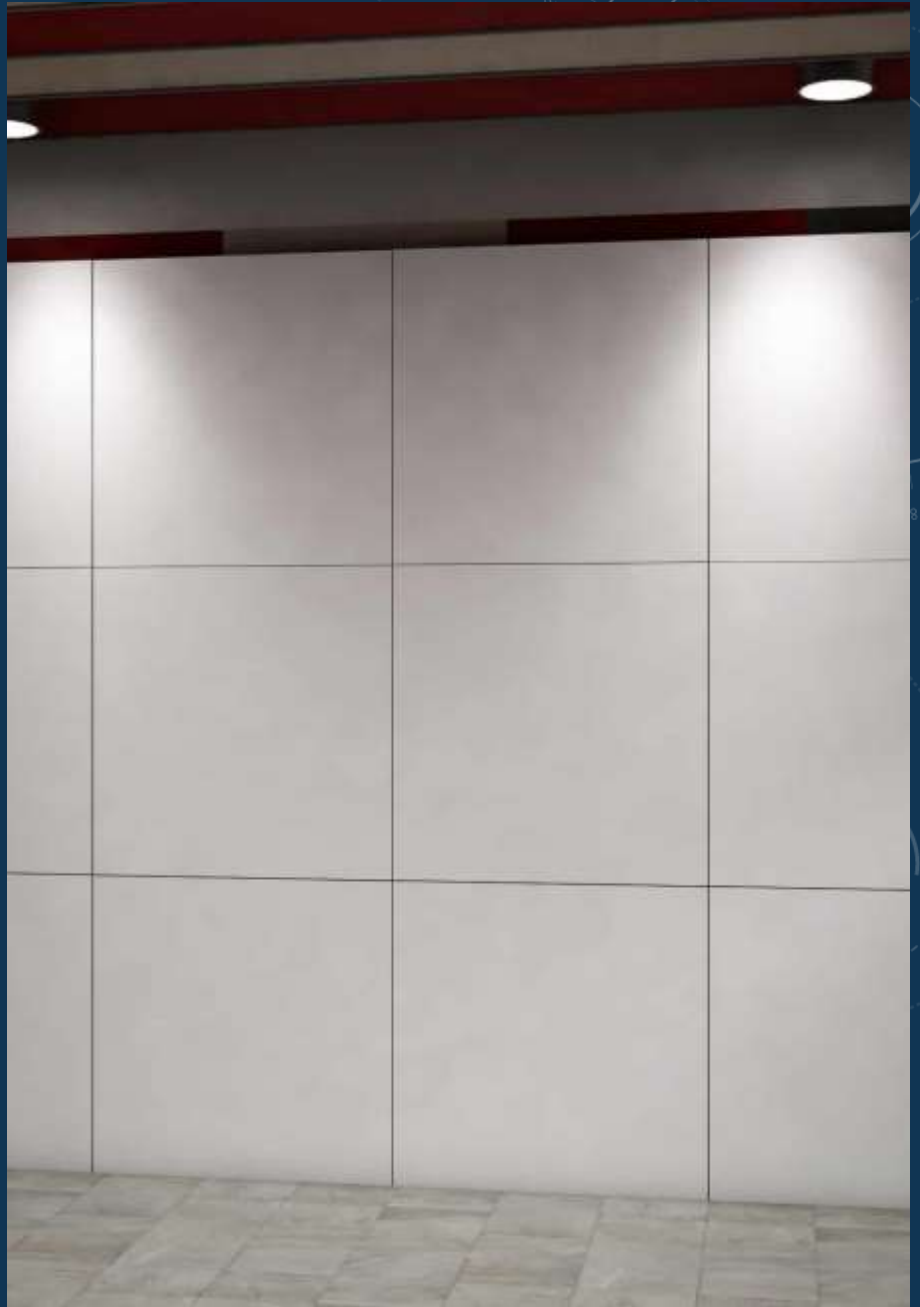
IQUBX WP01P



IQUBX WP01P



**IQUBX WP01P &
IQUBX WP03P
DEMOUNTABLE
WALL PARTITION SYSTEM**



- * Post and rail with panels modular construction
- * Very fast to install and Very cost effective
- * Continuous cavity for conduits and acoustic insulation
- * Panels fixed with continuous gasket for acoustic insulation
- * Anytime Changable panels with lot of options like Prelaminated board, laminated MDF, lacquered glass, soft board, cork board - allows post-construction flexibility as well as access for maintenance of embedded services

WP03Pa post section

WP03Pb rail section



**IQUBX WP03P
DEMOUNTABLE
WALL PARTITION SYSTEM**

WP03Pc hook section





ALUMINIUM CLADDING SYSTEM

VISIT SITE [HTTPS://IQUBX.COM/ALUMINIUM-CLADDING-WALL-PANELS/](https://iqubx.com/aluminium-cladding-wall-panels/)

KEY FEATURES AND ADVANTAGES

- **WP75** is a very flexible paneling with curved profile and can be used to clad columns, curved partitions, furniture as well as the straight partition or wall surfaces
- Ideal for fast installation for aluminium cladding on walls in lobbies and passages and any other space
- Can be installed on columns to create a Doric column effect
- Can be powder-coated in different colours to create contemporary gradient or contrast panel effect
- Low maintenance
- **Ideal for reception, passages, lobbies**



IQUBX WP075 INTERLOCKING CURVED PROFILE WALL PANELING SYSTEM





DOOR FRAME

VISIT SITE [HTTPS://IQUBX.COM/ALUMINIUM-DOOR-FRAME/](https://iqubx.com/aluminium-door-frame/)

DOWNLOAD BROCHURE [HTTPS://IQUBX.COM/DOWNLOAD/2285/](https://iqubx.com/download/2285/)

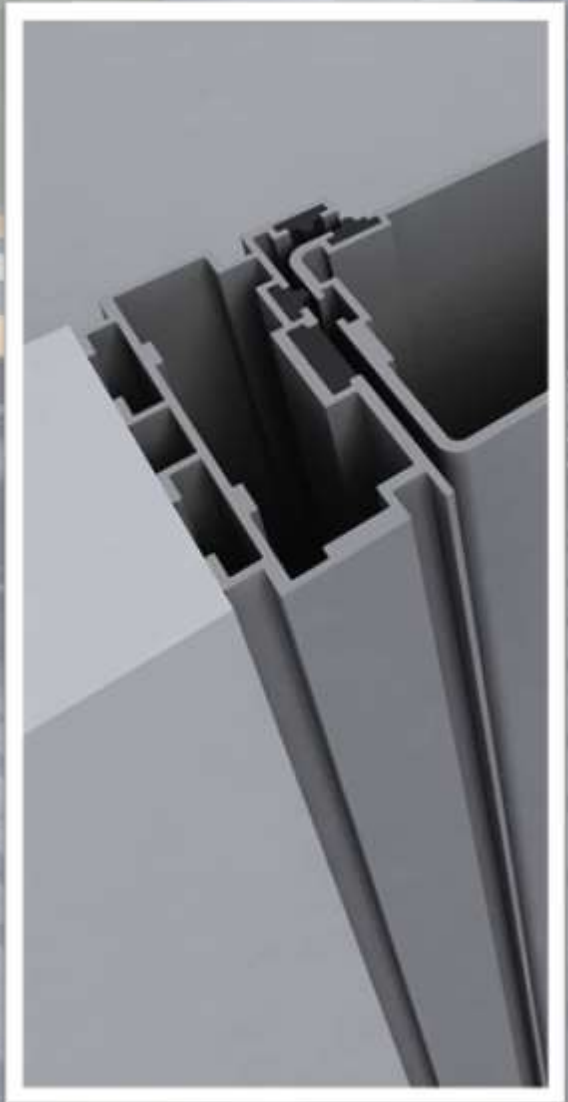
KEY FEATURES AND ADVANTAGES

- Certified GREENPRO by IGBC, CII
- 50 mm wide, 23 mm thick, with double grooves of 4mm, rebate of 11 mm
- Has double rubber seal for **effective air tightening and sound proofing**
- **Universal solution - Can be used in all locations in a premises**
 - **Glass partitions**
 - **Rooms with solid partitions / masonry walls**
- Cost effective, maintenance free
- **Very strong and durable**
- **Highly aesthetic finish detail**
- **Ultra fast to install with prefabrication**



DF01 ALUMINIUM DOOR FRAME







ALUMINIUM STILE GLASS & PANEL DOORS

VISIT SITE [HTTPS://IQUBX.COM/ALUMINIUM-GLASS-DOORS/](https://iqubx.com/aluminium-glass-doors/)

DOWNLOAD BROCHURE [HTTPS://IQUBX.COM/DOWNLOAD/2285/](https://iqubx.com/download/2285/)

KEY FEATURES AND ADVANTAGES

- Certified GREENPRO by IGBC, CII
- Multiple glass configuration – single and double glass - in same door by juggling mouldings in GD01
- Integrated and non-protruding handle in GD01
- Can also have opaque panel instead of glass
- Ultra Fast installation
- Installation and change of glass without demounting the door
- **High acoustic performance with multiple rubber seals**
- **Suitable for all rooms, cabins, lobbies, toilets**



options of single and double glass

integrated handle

**glass panel can be changed
without door removal**

unique design

made of 100% recycled aluminium

**can be used with
IQUBX door frame DF01**

Sliding option GD01S available

**GD01
ALUMINIUM GLASS DOOR**



Single Glass &
Double Glass
pane options

Integrated handle
on both sides

No need to remove door to change or install glass
Sliding option GD01S available

GD01
ALUMINIUM GLASS DOOR

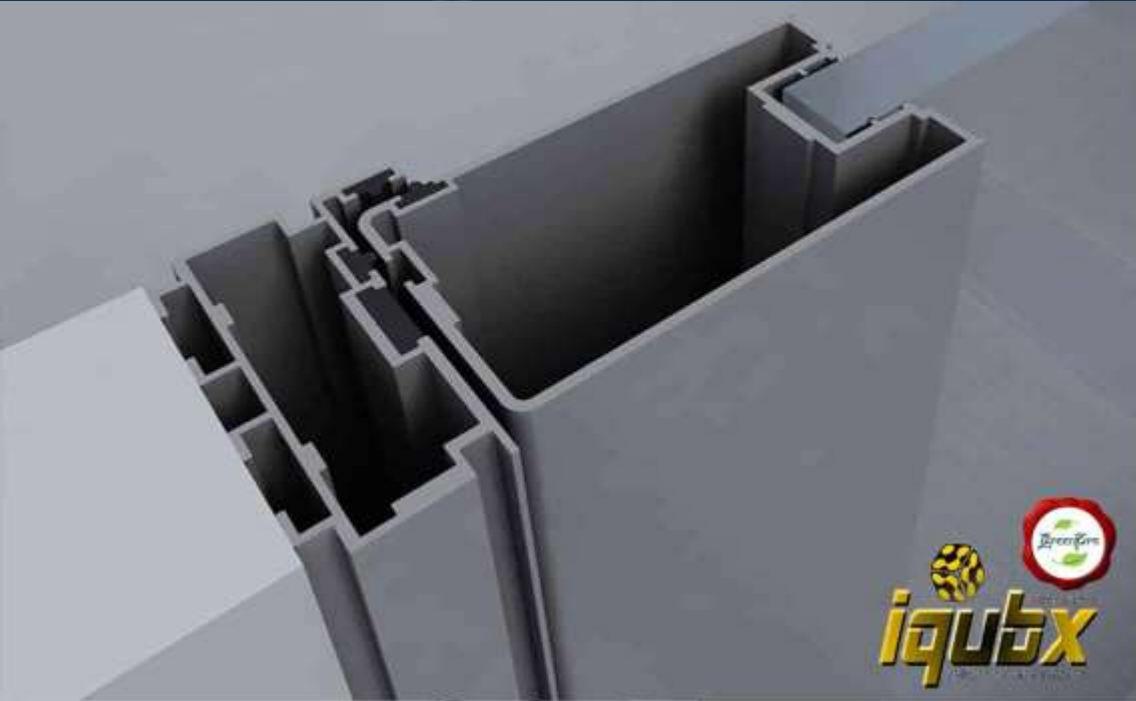


GD01S
ALUMINIUM GLASS DOOR
SLIDING



No need to remove door to install glass
Sliding option GD02S available

GD02 **ALUMINIUM GLASS DOOR**



**No need to remove
door to install glass**

**Sliding option
GD02S available**

**For single glass
8 to 10mm**

**GD02
ALUMINIUM
GLASS DOOR**





GLASS PARTITION SYSTEM

VISIT SITE [HTTPS://IQUBX.COM/GLASS-PARTITION/](https://iqubx.com/glass-partition/)

DOWNLOAD BROCHURE [HTTPS://IQUBX.COM/DOWNLOAD/2278/](https://iqubx.com/download/2278/)

KEY FEATURES AND ADVANTAGES

- Certified GREENPRO by IGBC, CII
- Multiple glass configuration in same glass system by juggling and changing mouldings
 - Single glass
 - Double glass
 - Vacuum insulated glass
- Ultra Fast installation
- Easy modification and change of glass configuration – single, double and VIG – even post construction in no time and minimum cost
- High acoustic performance



GP2160S



GP2160D



GP4028



GP2510/12



GP2512D

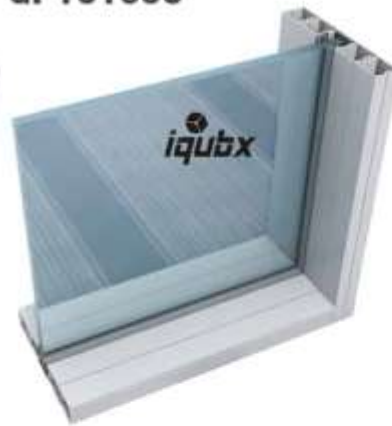


MODULAR GLASS PARTITIONS

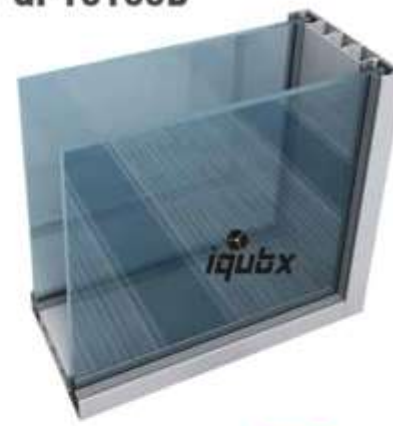
GP18100VIG



GP18100S



GP18100D

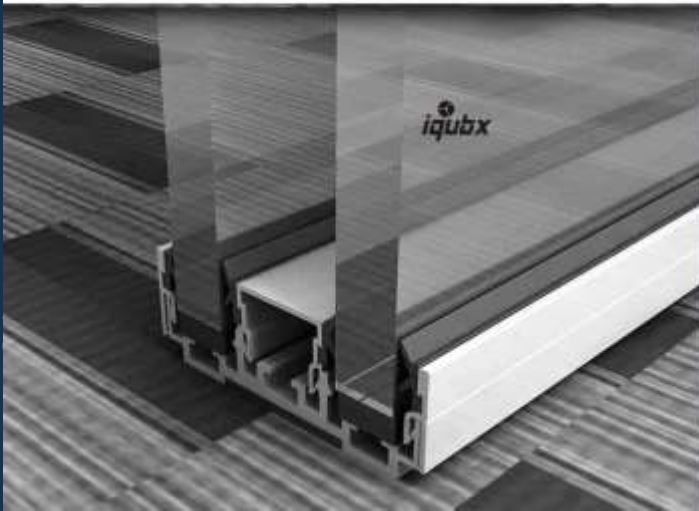




GP18100
MODULAR GLASS PARTITION
with multiple glazing options

Same system can be fitted with single glass, double glass or vacuum insulated glass any time
GP18100D is STC54 certified

iqubx



iqubx

GP2160D

MODULAR GLASS PARTITION

21 x 60 mm, Multi-glazing option glass partition system with sleek aesthetics & superior acoustics



GP4028 MODULAR GLASS PARTITION

Single glass partition system
with superior acoustics & bold aesthetics



double lock
edge channel
for strong locking
and strong frames
construction
with brackets





FLOOR TRUNKING SYSTEM

FLOOR JUNCTION BOX

VISIT SITE [HTTPS://IQUBX.COM/UNDER-FLOOR-JUNCTION-BOX/](https://iqubx.com/under-floor-junction-box/)

DOWNLOAD BROCHURE [HTTPS://IQUBX.COM/DOWNLOAD/2347/](https://iqubx.com/download/2347/)

KEY FEATURES AND ADVANTAGES

- Certified GREENPRO by IGBC, CII
- **PATENT** applied design
- **Any size and high load bearing capacity**
- Made of non corrosive aluminium which doesn't rust inside the floor, protecting the cables
- Highly adjustable to perfectly align with the floor finish
- **Lid cover does not come loose thus no entry of dust, mites, rodents and hence no tripping and accidents**
- **Lid can take any floor finish, giving a seamless floor including stone, tiles, glass, wood, carpet etc**



wood



carpet

Unobstructed floor finish with high load capacity, doesn't squeak or creak



Seam less, clean, aesthetic flooring for a contemporary interior

stone



Recyclable certified
Green Building Material
Ideal for LEED Projects



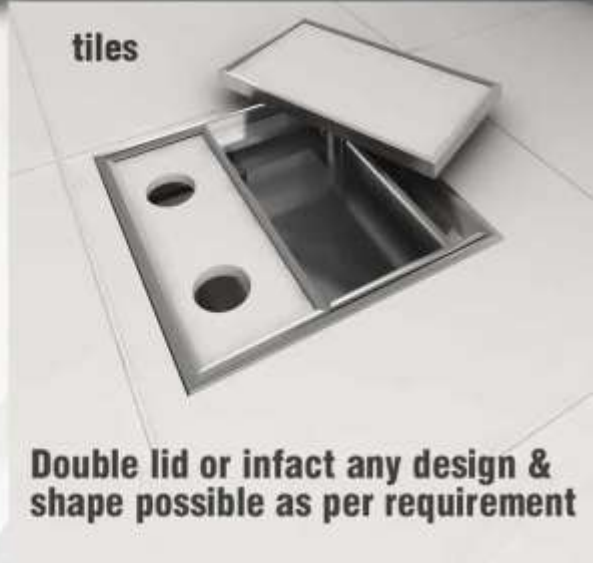
Lid in cavity doesn't come loose, thus, no entry of dust, mites, bugs, rodents which may damage the wires and cause disease



No loose covers means
no accidents
no tripping



Most economical solution as no wastage and can be self fabricated on site



tiles

Double lid or infact any design & shape possible as per requirement





**JB023 WITH HINGE,
HANDLE & WIRE MANAGER**



**IQUBX JB023
FLOOR JUNCTION BOX**



JB023 BASIC





FLOOR TRUNKING SYSTEM

FLOOR BOX

VISIT SITE [HTTPS://IQUBX.COM/ELECTRICAL-FLOOR-BOX-OUTLET/](https://iqubx.com/electrical-floor-box-outlet/)

DOWNLOAD BROCHURE [HTTPS://IQUBX.COM/DOWNLOAD/2347/](https://iqubx.com/download/2347/)

KEY FEATURES AND ADVANTAGES

- Certified GREENPRO by IGBC, CII
- Made of non corrosive aluminium which doesn't rust inside the floor, protecting the cables
- **FB01 just 55 mm high for low margin floors**
- **FB01 is modular with 1, 2, 3.. Bays and any length**
- FB02 is 95 mm high with ideally 258mm width and any length
- **FB02 can accommodate any floor finish like tile, upto 10mm thk**



**IQUBX FB01
ELECTRICAL
FLOOR BOX OUTLET
55mm deep**



unique two side
wire manager
with integrated handles
formaximum ease of
functionality



The switch socket
bay can be swivelled
open for wiring



Lid can accomodate
any finish upto 10mm
like tile, carpet etc



FLOOR TRUNKING SYSTEM

CABLE RACEWAY

VISIT SITE [HTTPS://IQUBX.COM/FLOOR-CABLE-RACEWAY/](https://iqubx.com/floor-cable-raceway/)

DOWNLOAD BROCHURE [HTTPS://IQUBX.COM/DOWNLOAD/2347/](https://iqubx.com/download/2347/)

KEY FEATURES AND ADVANTAGES

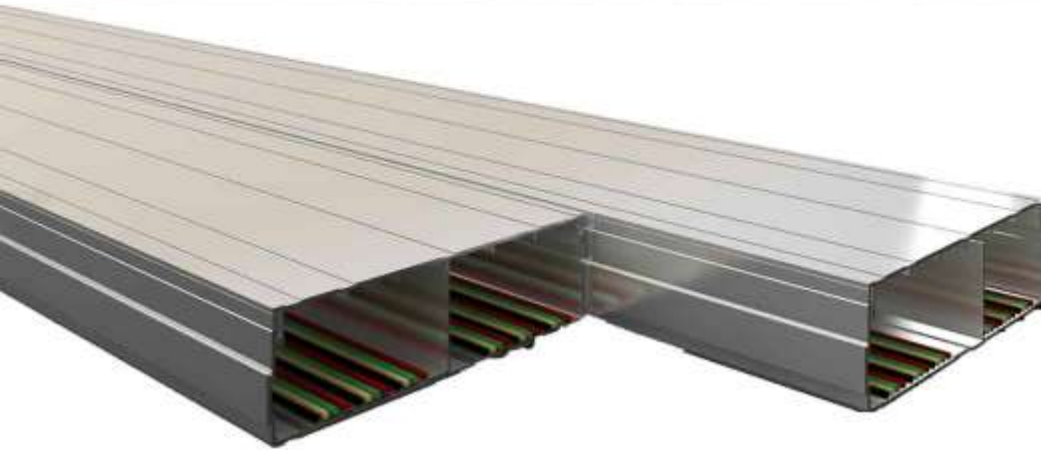
- Certified GREENPRO by IGBC, CII
- **Snap fit lid cover**
- **Can be laid on floor, in floor and walls**
- **Modular stacking in width 150 mm, 300, 450 ..**
- Easy access for maintenance with on-floor laying of raceways
- **Aluminium raceways won't rust or corrode, excellent protection to cables**
- Aluminium is a non-magnetic material, therefore, ideal for data cabling



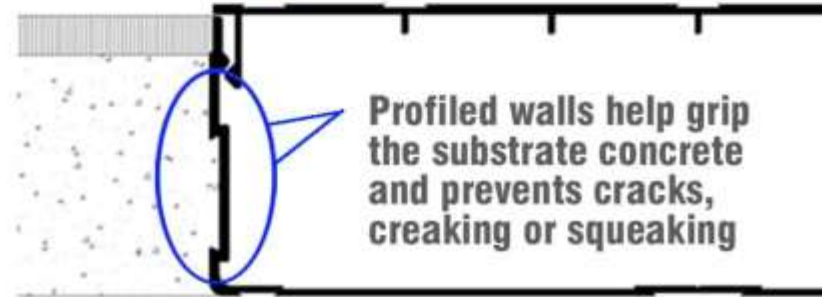
WHY IQUBX Floor Raceways for contemporary interiors?



Recyclable 
Green Building Material
Ideal for LEED Projects



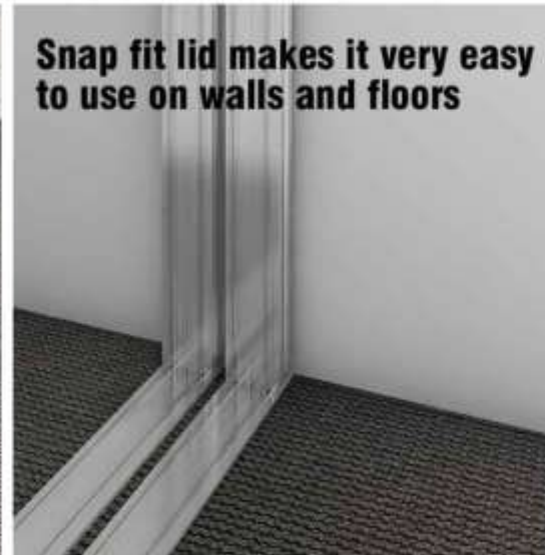
Extruded profile fins can take heavy load and does not allow lid to sag



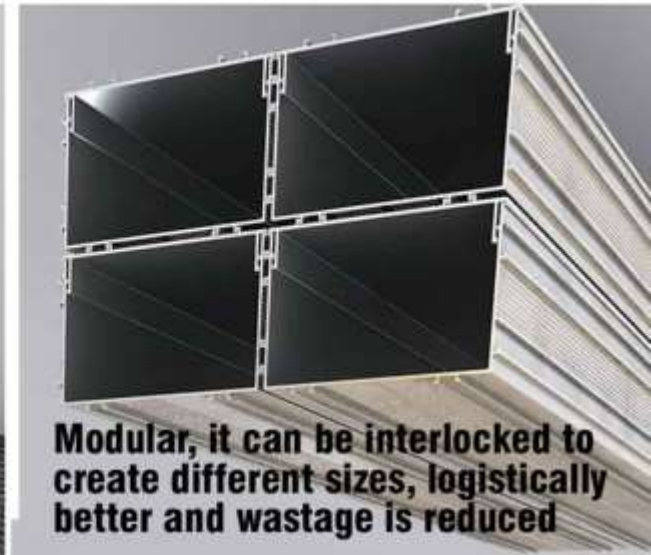
Profiled walls help grip the substrate concrete and prevents cracks, creaking or squeaking



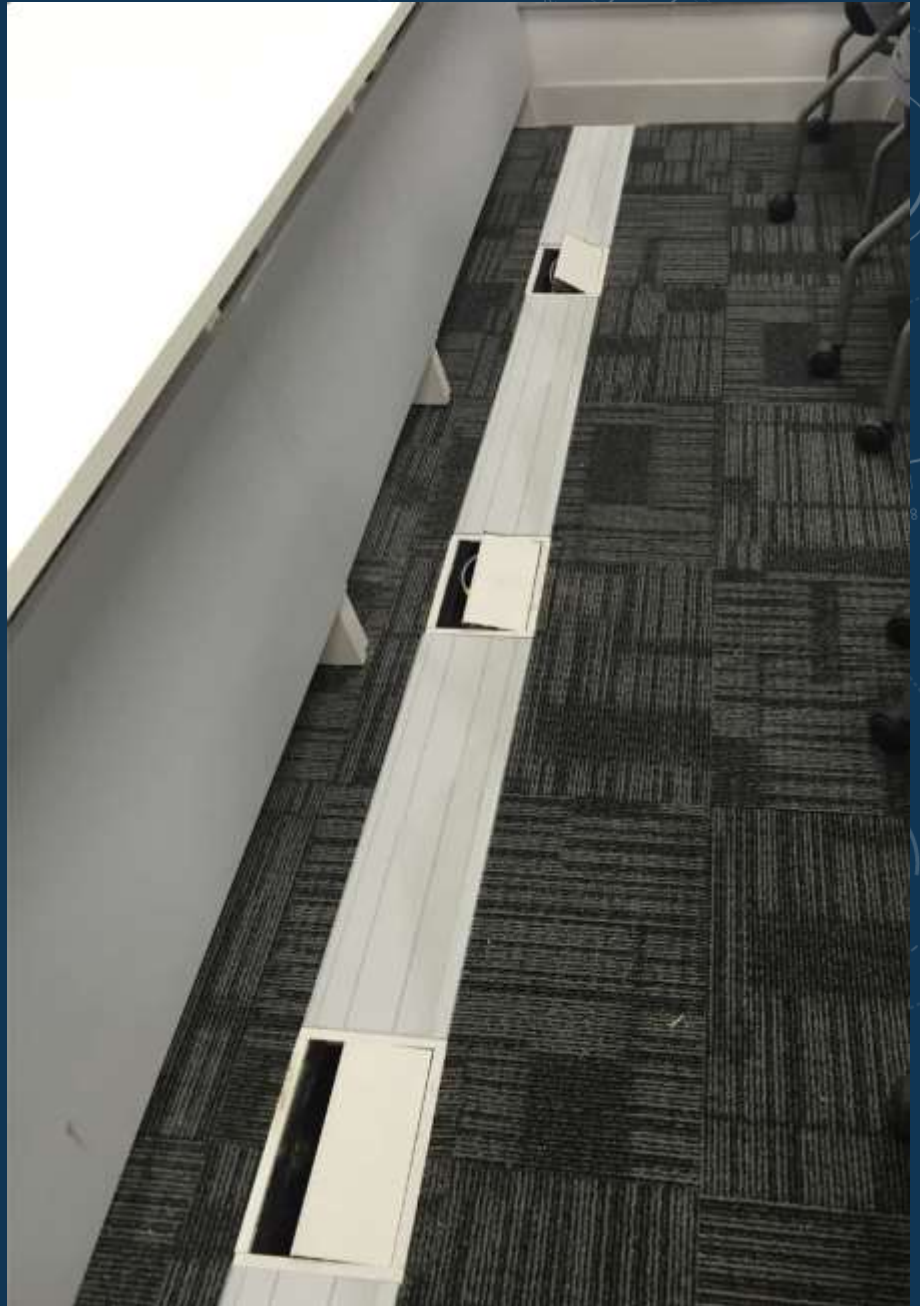
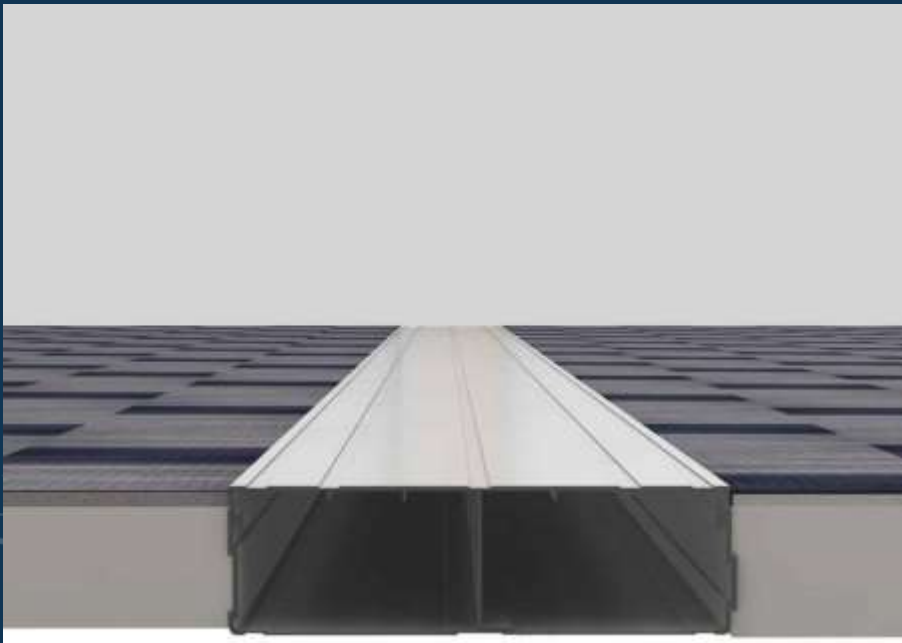
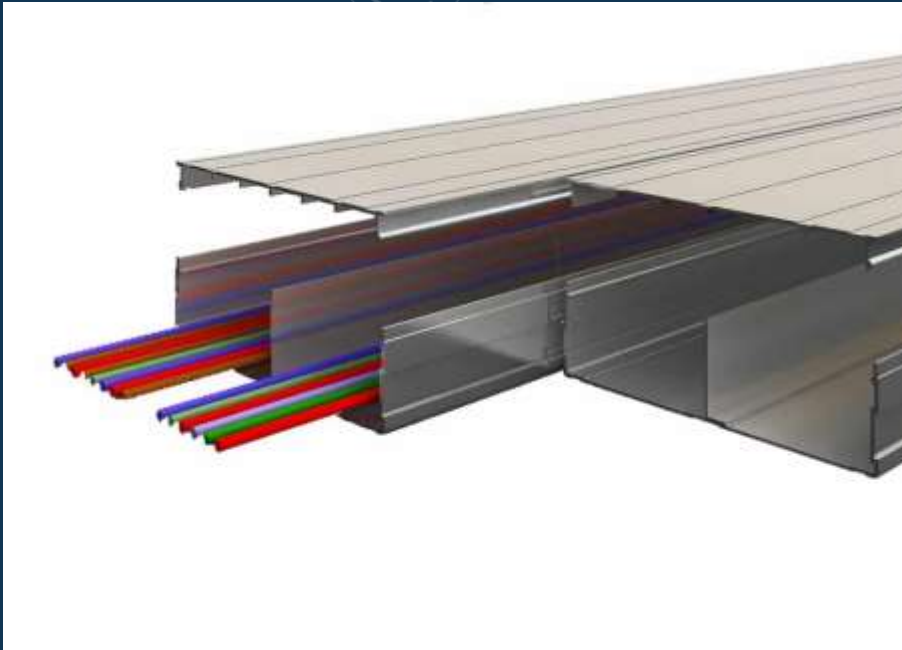
Can be laid exposed on floors in office and commercial interiors with excellent finish and load bearing capacity



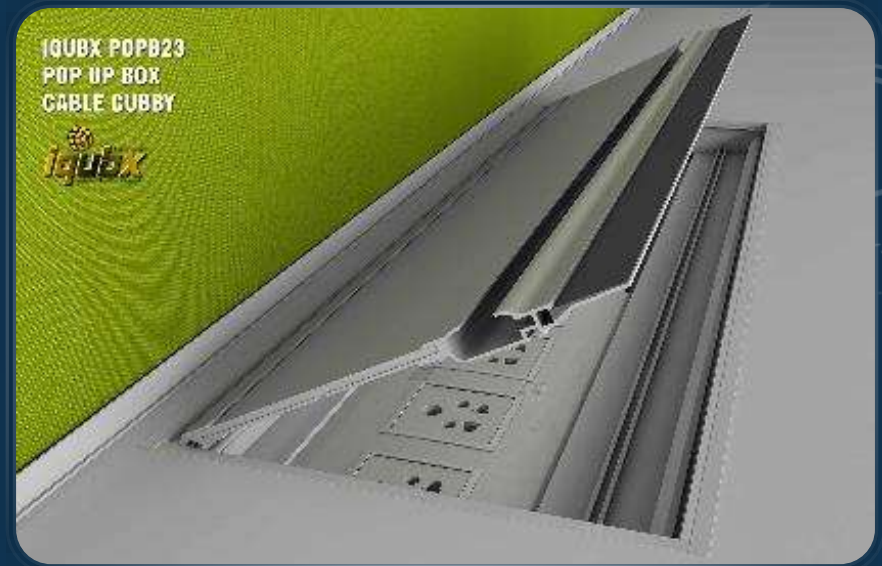
Snap fit lid makes it very easy to use on walls and floors

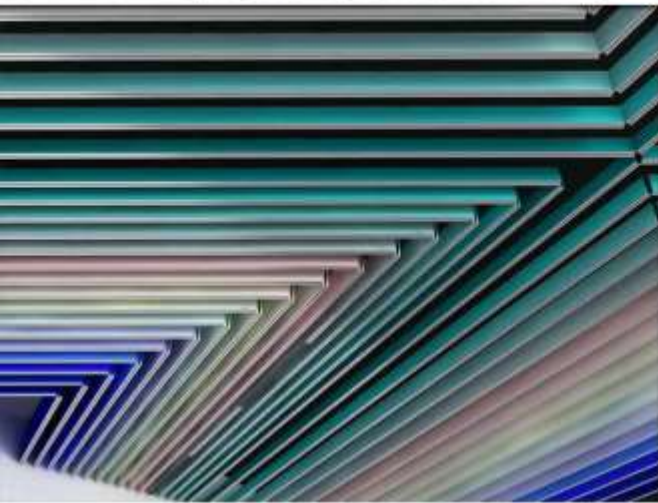
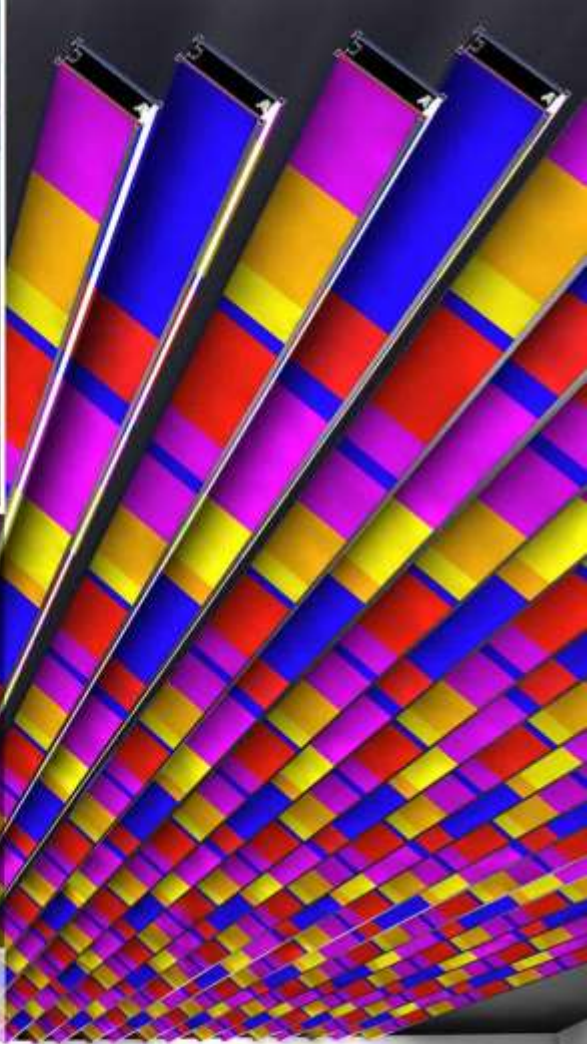


Modular, it can be interlocked to create different sizes, logistically better and wastage is reduced



WE MANUFACTURE
VARIOUS OTHER
PRODUCTS WHICH CAN
FIND USE AND ADD
VALUE PROJECTS





IQUBX BAFFLE CEILING SYSTEMS



FOR MORE DETAILS



info@iqubx.com

amit@iqubx.com



9999001967

9811204811