


All copyrights, trademarks, intellectual property rights, patents reserved in name of IQUBX pvt ltd and its directors. Any copying of logo, images, designs, product designs without explicit written permission of the directors of IQUBX pvt ltd shall be a punishable offence. All the product designs are IPR protected



[www.iqubx.com](http://www.iqubx.com) 



## MODULAR WORKSTATION TABLE LEGS

WSL01, WSLSQ55 & WSLT50(60) series

Leg frame systems for  
Linear Workstations *shared non-shared*  
Cubicle Workstations  
Conference tables  
Meeting tables



## WORKSTATION MODULAR PARTITION SYSTEM

WS28 AIRLINE &  
WS54 JETLINE MODULAR PARTITIONS



## MODULAR FLIPTOP BOX

POP23



## MODULAR WORKSTATION TABLE LEGS SYSTEM WSL01series

<https://iqubx.com/metal-table-leg-frames-for-modular-workstation-desks/>

### flexible size, complete CKD workstation leg system which can be modified on site too

IQUBX has designed a range of modular legs and leg systems for workstation desk and office furniture. Made of 100% recycled aluminium. IQUBX Modular workstation table leg frames can be assembled into various frame shapes and configurations with ease.

Modular workstation table leg frame IQUBX WSL01 is a 2 component Aluminium extruded leg, and these components can be assembled at various angles to give different shape & aesthetics to the leg.

**WSL01** has a taper angle of 3° for the leg width and the leg itself is 9° angled from true vertical. This leg has a height adjuster fitted (optional) at the bottom and an ABS plastic mounting cap WSLM1 at the top to fix it securely with any table desk base.

This single leg can be fitted in any table, be it a meeting table, conference table, desking workstation and others. WSL01 is available in standard white powder coating, or anodized finish or other shades of powder coating. WSLM1 ABS cap is a medium gray component

**WSL01** can be assembled together to form a **WSL01F** frame, a two leg gable end of a workstation desk or table. **WSL01F** is available in a single gable end of 2 legs or as a complete frame.



**WSL01 series  
Modular Workstation  
Table Leg Frames**



**WSL01**



**WSL01F600**

**WSL01F1200**



**WSLM1 ABS cap**

## Technical Data

**WSL01** cross-section 80 x 40mm at top reduced to 45 x 40mm at bottom, powder coated or anodize finish, with or without height adjuster at bottom, total height 725mm including the **WSLM1 ABS cap**

**WSL01F600** is a 2 leg single gable end, 580 approx wide, single width table

**WSL01F1200** is a 2 leg single gable end, 1180 approx wide, double width table

**WSL01F6001**, 4 leg frame, 580 approx wide for a single width table, 860 to 1160 long as required – single non-shared workstation

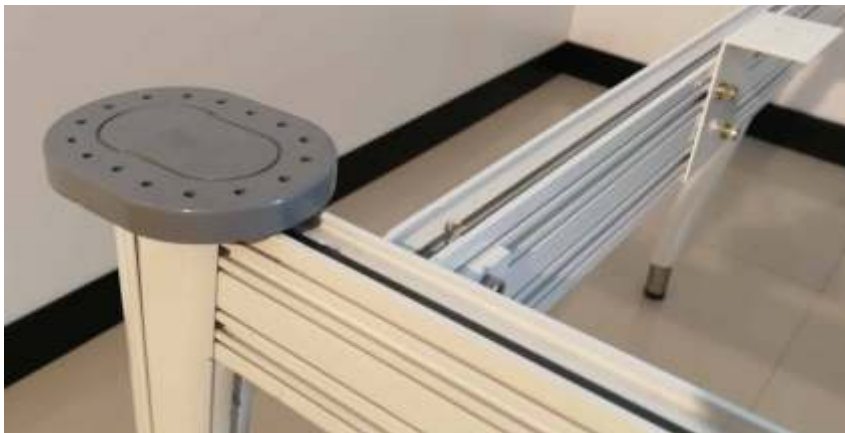
**WSL01F6002**, 6 leg frame, 580 approx wide for a single width table, 1720 to 2320 long as required – for double non-shared workstations

**WSL01F12001**, 4 leg frame, 1180 approx wide for a double width table, 860 to 1160 long as required – for double shared workstations

**WSL01F12002**, 6 leg frame, 1180 approx wide for a double width table, 1720 to 2320 long as required – for four shared workstations

The sizes mentioned above are general and in no way standard or limited. The frames shall be fabricated as per specified sizes of the client requirement

**GREENPRO** certified, made of 6063 aluminium alloy, 100% recycled aluminium - 10% pre-consumer & 90% post-consumer



## WSL01 series Modular Workstation Table Leg Frames

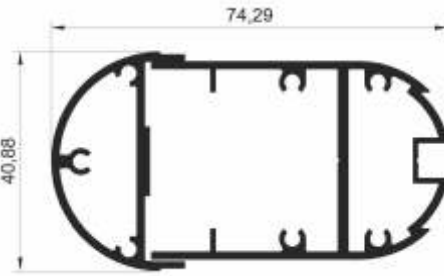
01 series have a length  
from 860 - 1160 mm for  
a single length  
workstation

02 series have a length  
from 1720 - 2320 mm  
for a double length  
workstation

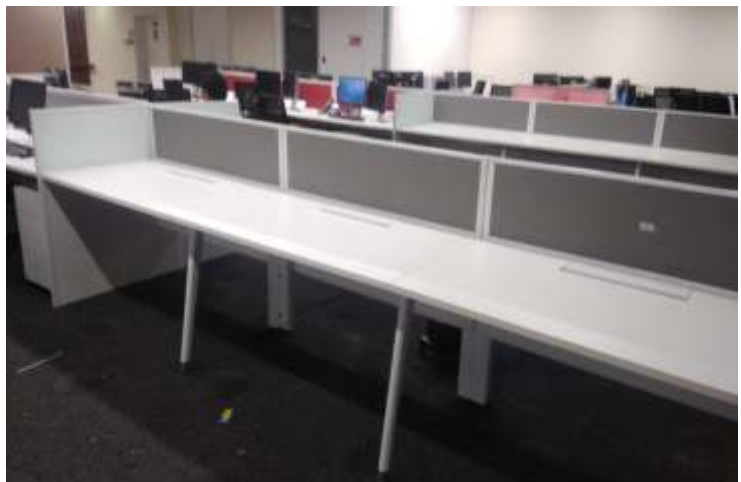


*WSL01FM1 is a 3 leg frame suitable for 750 dia to 900 dia table tops of glass or wood.*

*Any configuration of number of legs and dimensions can be fabricated and delivered as per requirement*



*WSL01F12002, 6 leg frame, 1180 approx wide for a double width table, 1720 to 2320 long as required – can be used for Conference tables.*





# MODULAR WORKSTATION TABLE LEGS SYSTEM WSLT50(60)series



<https://iqubx.com/metal-table-leg-frames-for-modular-workstation-desks/>

**ultra sleek, strong and sturdy, light weight  
triangular section leg system**



## Technical Data

**WSLT60** cross-section 60 x 60mm triangular aluminium extrusion, powder coated or anodize finish, with or without height adjuster at bottom

**RW033** 100 x 55 raceway also serves as center beam in shared and edge beam in nonshared leg systems

**WSLSQ55** square leg acts as edge beams

Raw mill finish, can be powder coated in any color or anodized

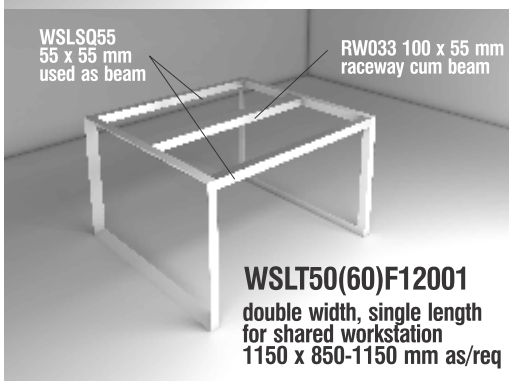
**GREENPRO certified**, made of 6063 aluminium alloy, 100% recycled aluminium - 10% pre-consumer & 90% post-consumer

**W**SLT50, a triangular cross-section Modular workstation table leg frame has now been relaunched as **WSLT60 with 60 x 60 cross-section**. The triangular section is assembled in a square or rectangular frame shape to act as a gable end leg. This leg frame can be converted into a complete frame for workstations or tables.

WSLT60 is a strong and sturdy system. The **snap fit cover** of triangular leg can be powdercoated in **different colour to create a striking effect**.

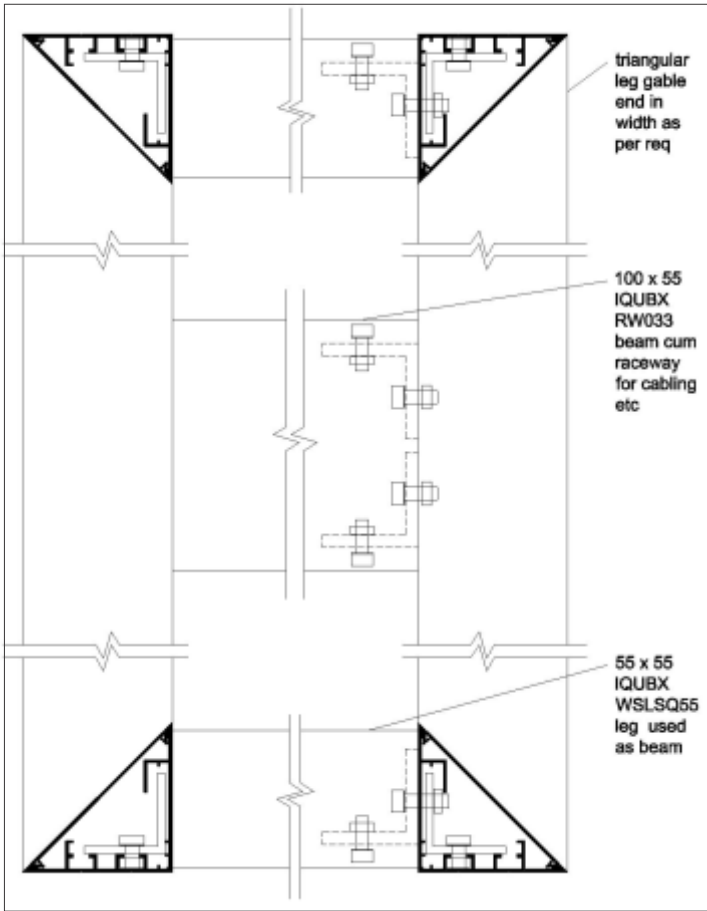


**WSLT50(60)F600/1200**  
gable end in single 550mm approx / double width 1150mm approx as per/req

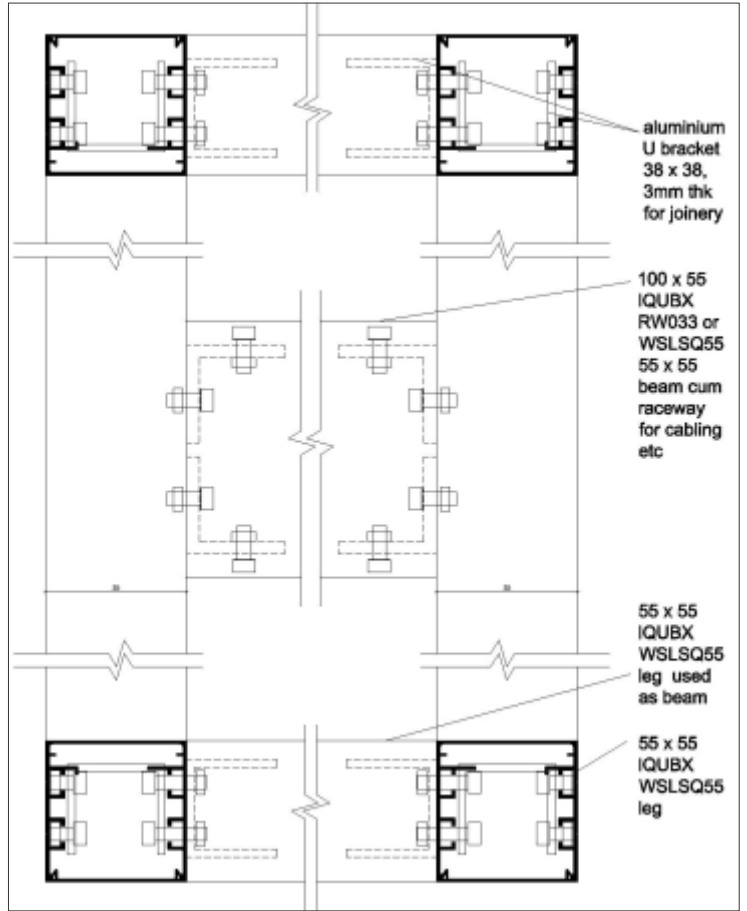


*The sizes mentioned above are general and in no way standard or limited. The frames shall be fabricated as per specified sizes of the client requirement*

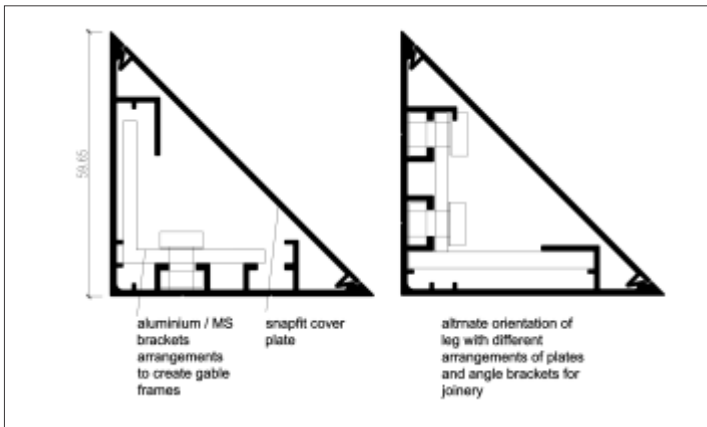




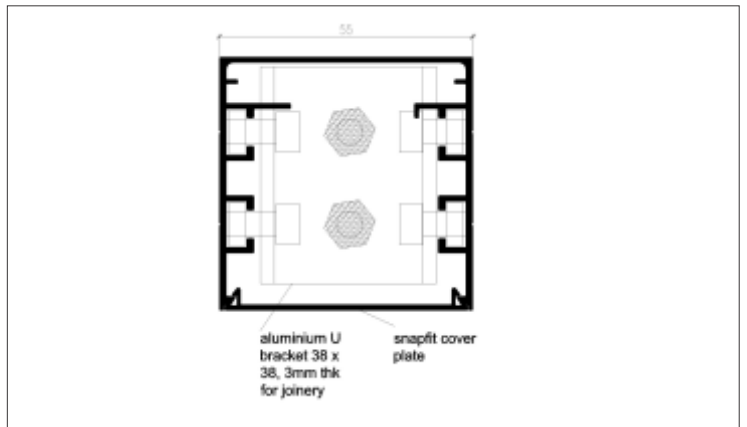
**Typical construction of WSLT60 series WS leg system**



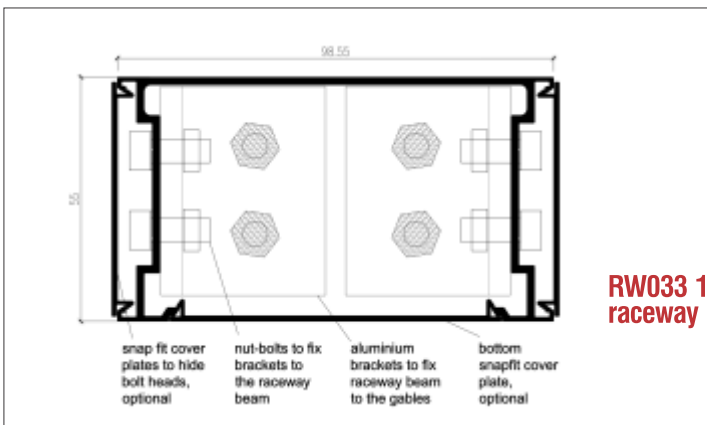
**Typical construction of WLSLQ55 series WS leg system**



**WSLT60 60 x 60 mm joinery alternatives**

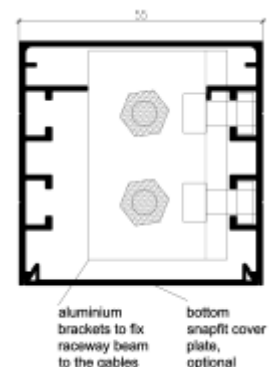


**WLSLQ55 55 x 55 mm**



**RW033 100 x 55 mm raceway cum beam**

**WLSLQ55 55 x 55 mm used as beam**



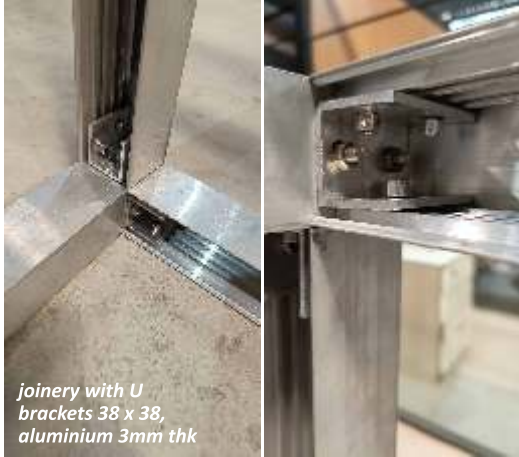


# MODULAR WORKSTATION TABLE LEGS SYSTEM WSLSQ55series



<https://iqubx.com/metal-table-leg-frames-for-modular-workstation-desks/>

**ultra sleek, strong and sturdy, light weight  
square section leg system**



joinery with U  
brackets 38 x 38,  
aluminium 3mm thk



WEBSITE

## Technical Data

**WSLSQ55** cross-section 55 x 55 mm square aluminium extrusion, powder coated or anodize finish, with or without height adjuster at bottom

**RW033** 100 x 55 or the leg **WSLSQ55** also serves as center and edge beam

Raw mill finish, can be powder coated in any color or anodized

**GREENPRO** certified, made of 6063 aluminium alloy, 100% recycled aluminium - 10% pre-consumer & 90% post-consumer

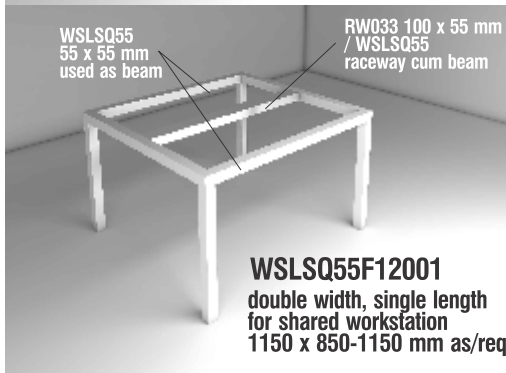
**WSLSQ55**, a square cross-section Modular workstation table leg frame is a sleek, strong and durable, quick assembly, neat system.

This leg system can have a conventional leg frame type construction or gable type leg frames as well. This leg frame can be converted into a complete frame for workstations or tables.

**WSLSQ55** is a strong and sturdy system. The **snap fit cover** of triangular leg can be powdercoated in **different colour to create a striking effect.**



**WSLSQ55F600/1200**  
gable end in single 550mm approx / double width 1150mm approx as per/req



**WSLSQ55GF600/1200**  
*The sizes mentioned above are general and in no way standard or limited. The frames shall be fabricated as per specified sizes of the client requirement*



<https://iqubx.com/pop-up-box-electrical-cable-cubby/>



**table top pop up / flip top cable manager with table top finish embedded in lid**

**I**qubx POPB23 pop up box is a flush mount modular desk top cable management system which works as a connectivity box for power & data ports.

The lid has a **unique continuous aluminium hinge or pivot**, with rubber or brush strip to allow cables and wires, along with an integrated continuous handle profile.

This box is based on Floor Junction Box JB23 **patent applied** system.

And the most unique feature is that the **main body of the lid can hold a ply with same finish as rest of the worktop, making it very aesthetic.**

This modular design can be made **available in any sizes as per requirement.** Maximum size can be 2400 mm long, Standard sizes of 156 x 300 (8M), 156 x 450 (12M) & 156 x 600 (16M) mm. Very quick & easy installation.

IQUBX popup box **can be retrofitted** in existing desks without too much of a hassle.

**Technical Data**

Any length and width, recommended width 156mm, though smaller can be made

JB023a, outer channel – 20 x 17.5 mm  
 JB023b, inner channel – 20 x 26 mm  
 For raceway below, 100 x 50 aluminium tube can be used or our RW011 150 x 45 can be used

Raw mill finish, can be powder coated in any color or anodized

**GREENPRO certified** 6063 aluminium alloy, 100% recycled aluminium - 10% pre- consumer & 90% post-consumer







# WORKSTATION MODULAR PARTITION SYSTEM WS54 JETLINE

<https://iqubx.com/workstation-modular-partition-systems/>



**full functional modular partition system with provision for internal wiring and multiple finish panels**

**W**S54 is very sleek and sturdy 54mm wide modular partition for workstations or other screen walls, or even full height partitions, with minimum components for better logistics & provision for internal wiring.

It can be interlocked in continuity, and 90 deg to form straight, L shaped and T shaped configurations.

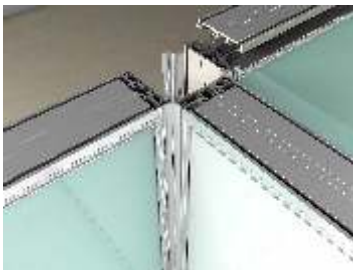
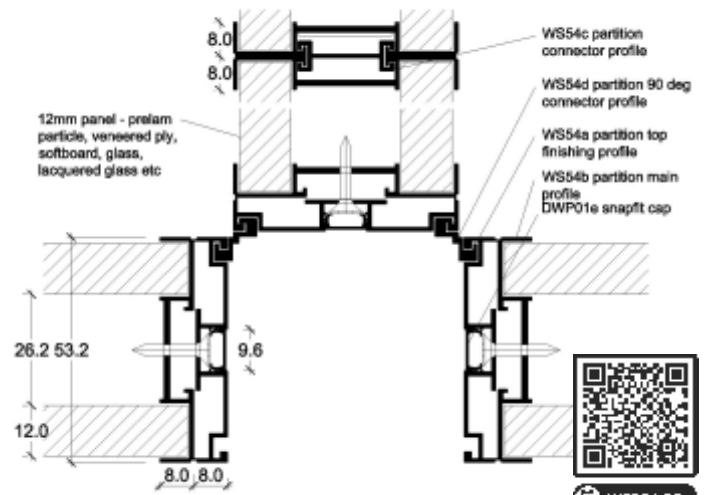
It can incorporate soft board, prelam panels 25 thk, or lacquered glass (magnetic / non-magnetic).

## Technical Data

- WS54a top finishing section 28 x 14 mm
- DWP01e multipurpose snapfit 28 x 17 mm
- WS54b main section 28 x 14 mm
- WS54c partition continuation connector
- WS54d partition 90 deg connector
- WS54EC1 plastic ABS end cap

Raw mill / powdercoat/ anodized

GREENPRO certified, made of 6063 aluminium alloy, 100% recycled aluminium - 10% pre-consumer & 90% post-consumer





# WORKSTATION MODULAR PARTITION SYSTEM WS28 AIRLINE

<https://iqubx.com/workstation-modular-partition-systems/>



WEBSITE



**ultra sleek, innovative, modular partition system with multiple finish panels**

**W**S28 Airline Partition system is remarkable for its simplicity. With minimum components, and just 28mm wide partitions can be made for screens, table top partitions and aprons and desking systems.

It can be interlocked in continuity, and 90 deg to form **straight, L shaped and T shaped configurations**.

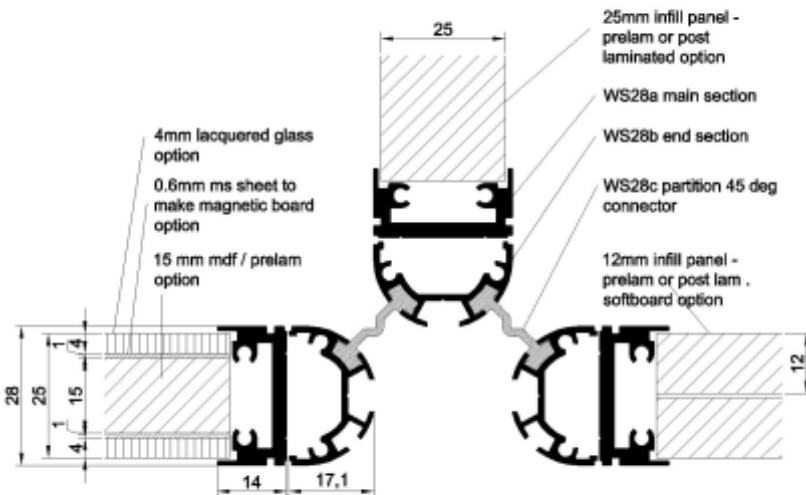
The partition can incorporate **soft board on both sides, prelam panels 25 thk, or lacquered glass (magnetic / non-magnetic) both side or combinations as per requirements.**

## Technical Data

- WS28a main section 28 x 14 mm
- WS28b end section 28 x 17 mm
- WS28c partition 90 deg connector
- WS28EC1 plastic ABS endcap 1
- WS28EC2 plastic ABS endcap 2

Raw mill finish, can be powder coated in any color or anodized

**GREENPRO certified**, made of 6063 aluminium alloy, 100% recycled aluminium - 10% pre-consumer & 90% post-consumer



Published April 2022



APPOINTING  
DISTRIBUTORS  
ALL OVER INDIA  
& OUTSIDE

IQUBX PVT LTD  
Plot No 22, khasra no 27/10,  
Industrial Area, Nangli Sakrawati,  
Near Campa Cola Factory,  
Najafgarh, New Delhi, 110043

[www.iqubx.com](http://www.iqubx.com)  
<https://www.facebook.com/iqubx/>  
<https://www.linkedin.com/company/iqubx/>  
<https://www.instagram.com/iqubx/>

### Modular Green Building Furniture & Interior Systems

Mktg +91 9999001967, 8506074444, 7065444402 | info@iqubx.com

*The only certified Green Products in their categories in India*

We design customized solutions

#### Modular Aluminum Interior products

Glass Partition Systems - Single, Double Glazed, DGU Glass  
Demountable Wall Partition & Paneling Systems  
Doors and Door Frames  
Free standing office cabin partitions & booths  
Dry Cladding Readymade Room Partition Walls (Drywall - Stone & Tiles)  
Modular Baffle Ceiling Systems (PATENT applied)

#### Ceiling Trap Doors

Work Stations, Modular table Leg Systems, Modular Partitions, Popup Boxes  
Misc: Skirting Board, Chair Rail, carpet transition profile, corner guard

#### Modular Aluminum Electrical products

Floor Boxes, Floor Junction Boxes (PATENT applied), Raceways  
Floor Raceways Trunking Systems  
Cable Distribution & Termination - Open Frame Racks - 2 & 4 Poles, D Ring



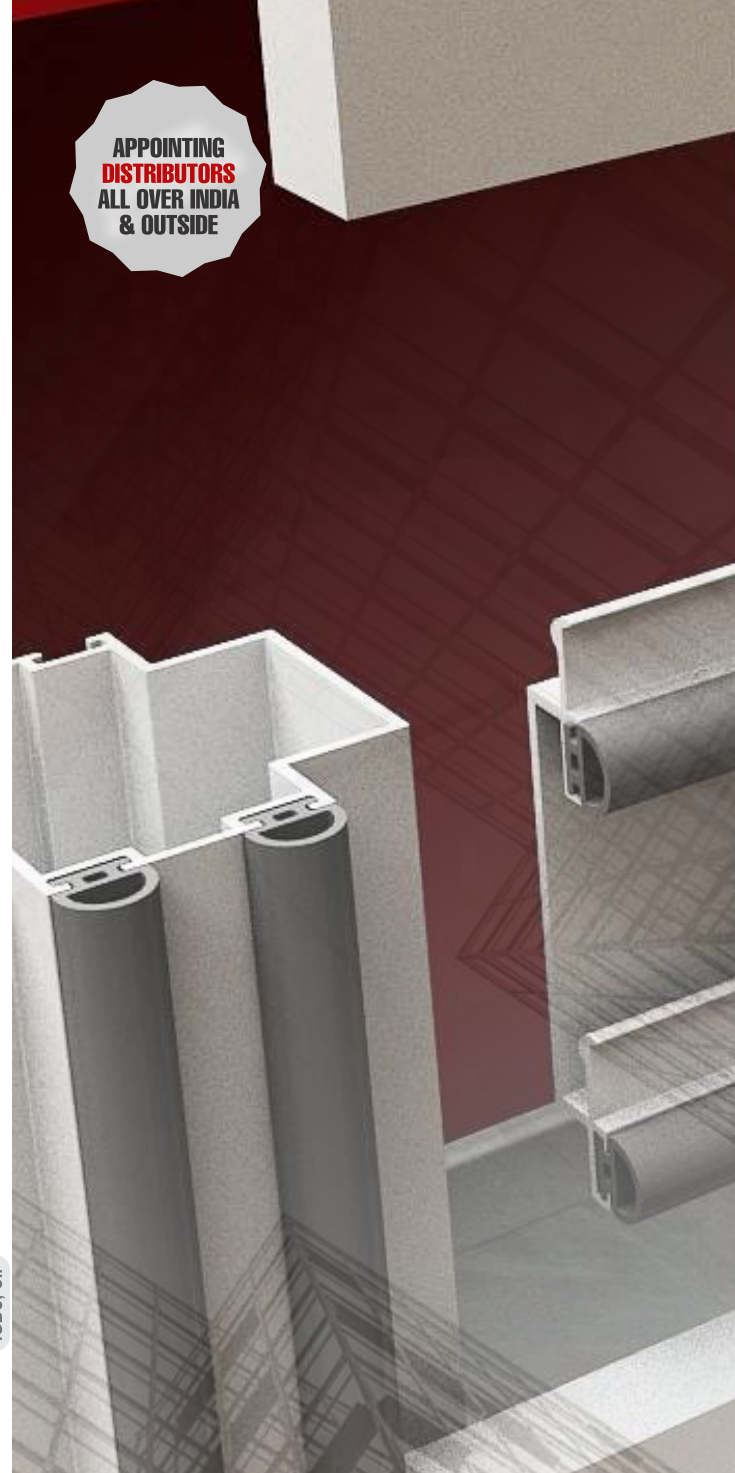
certified by  
IGBC, CII

High performance & Functionality **Ultrafast installation** Minimum Human Labour  
**Highly customizable** Modifiable **Relocatable** Minimum components

distributor



view auth  
distributor  
list online



DESIGNERS & MANUFACTURERS  
OF LARGEST NUMBER OF  
GREEN CERTIFIED  
MODULAR FURNITURE &  
INTERIOR SYSTEMS IN INDIA

[www.iqubx.com](http://www.iqubx.com)



*All copyrights, trademarks, Intellectual property rights, patents reserved in name of IQUBX pvt ltd and its directors. Any copying of logo, images, designs, product designs without explicit written permission of the directors of IQUBX pvt ltd shall be a punishable offence. All the product designs are IPR protected*