



# MODULAR BAFFLE CEILING SYSTEMS

BFC1  
BFC2  
BFC12

BFC3  
BFC4  
BFC5

BFC6  
BFC7

[www.iqubx.com](http://www.iqubx.com)



All copyrights, trademarks, Intellectual property rights, patents reserved in name of IQUBX pvt ltd and its directors. Any copying of logo, images, designs, product designs without explicit written permission of the directors of IQUBX pvt ltd shall be a punishable offence. All the product designs are IPR protected





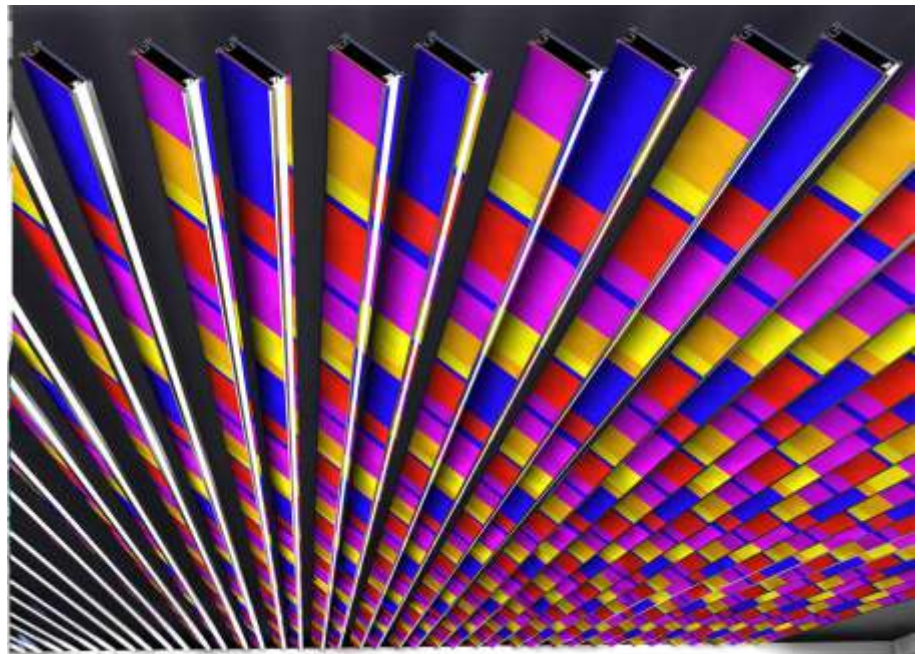
IQUBX has now developed innovative and creative, highly customizable, modular and multifunctional, Aluminium based Baffle Ceiling Systems (**certified GREENPRO by IGBC, CII**) for modern age interiors.

These systems are unique and highly innovative flexible systems which provide opportunity of creative expression to architects and designers. For instance, some of these can provide possibility of unique combinations of materials, patterns, orientation, profiles, finishes and integrated lighting solutions while some may provide flexibility of sizes.

IQUBX systems are probably world's first integrated lighting baffle ceiling system in which **multiple and different faces can be lit with edge lit acrylic.**

A few of these baffle ceilings have **PATENT APPLIED** for their unique modular design.

IQUBX Baffle Ceiling Systems are used in Offices, Schools & Universities, Libraries, Entrance foyers & reception areas, Call-centers, Airports, Metro-Stations, retail areas, Malls and Industries, Cafes as well as residential apartments.



### Key Advantages of IQUBX Baffle Ceiling Systems

All baffle ceilings are Green Building product certified GREENPRO by IGBC, CII, based on 100% recycled aluminium

Unique designs with PATENT APPLIED on BFC1, 2 and 12

Unique functionalities and features like - same profiles can be assembled in 6 different combinations of shapes and orientations in case of BFC1, 2 and 12. Other baffle systems like BFC3 allows any finish and height (dimension), and BFC 5 allows versatile shaped stacking modular system to fire the imagination of the designers

Highly customizable Modular systems – Endless combinations and permutation of patterns and finishing materials in various baffle ceiling systems, which are Modular by design, to suit the functional, aesthetical & acoustic requirements – lacquered glass, laminated ply or prelaminate board, edge-lit acrylic, cork, printed vinyl, polished veneer and so on

Can incorporate sound absorbing materials like a cork as per requirement, at a very low cost, in most of the systems

Integration of Light possible on various faces providing a unique look. IQUBX introduces, probably, world's first integrated lighting baffle ceiling system in BFC1, 2, 12, and BFC5

These innovative baffle ceiling system can be used in all kind of interiors like Malls, offices, Apartments, Hospitals, Schools, Universities, Metro/Railway Stations, Airports and even in homes

Easy to relocate & reuse (change of finish possible) easy to assemble, Dismantle, Reuse

Easy accessibility to the ceiling services like piping, wiring, ductwork for maintenance work

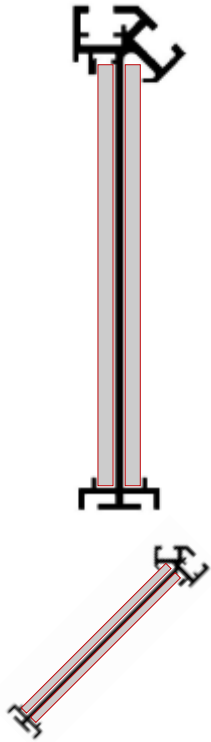
Minimum Components for Logistics

Almost zero maintenance

Very economically priced

**MODULAR  
BAFFLE CEILING  
BFC01 120 x 27**

<https://iqubx.com/aluminium-sound-baffle-ceiling-system/>



### Technical Data

**BFC1**  
120 X 27 mm

**Material finishes options**

- Lacquered glass
- Cork
- ACP sheet
- Laminated mdf
- Veneer
- Printed vinyl on sunboard / PVC sheet
- Edge lit acrylic
- Powder coated in any color or anodized

**GREENPRO** certified, made of 6063 aluminium alloy, 100% recycled aluminium- 10% pre-consumer & 90% post-consumer

*BFC1 can have any 4 mm finish embedded on 2 surfaces, including edge-lit LED. The top side of profile is used to fix it with subframe at 90 or 45 deg with subframe, with help of M5 bolts*

**Linear baffle 120x27 with changable 4mm material including edge lit acrylic light finishes on 2 surfaces**

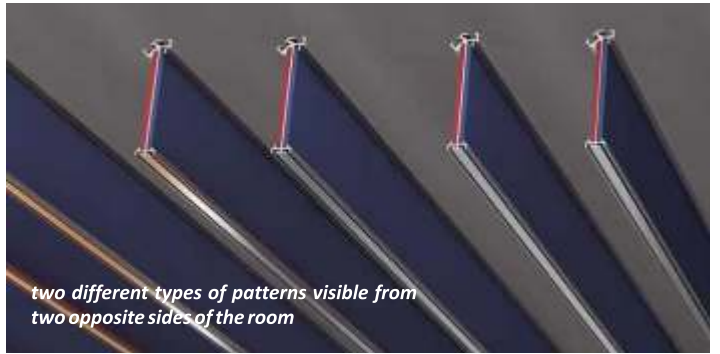
**O**ur Innovative Baffle Ceiling System BFC 1, 2, 12 has mainly Two Aluminium Section Profiles; one is IQUBX BFC-1 and second is IQUBX BFC-2. The USP of IQUBX Baffle ceiling system is that the IQUBX BFC-1 and IQUBX BFC-2 can also be combined to form a new type of Baffle System called as IQUBX BFC-12, and all of them can be hung in two different angles. This allows a possibility of 6 combinations of shapes. These shapes can be hung in different patterns. further, these shapes and patterns can be finished with endless different combinations of colours and materials

IQUBX BFC-1 is one of a kind **linear slim Aluminium channel**, that has a capacity to hold various types of materials and a huge number of material combinations to provide great aesthetic looks to the ceiling.

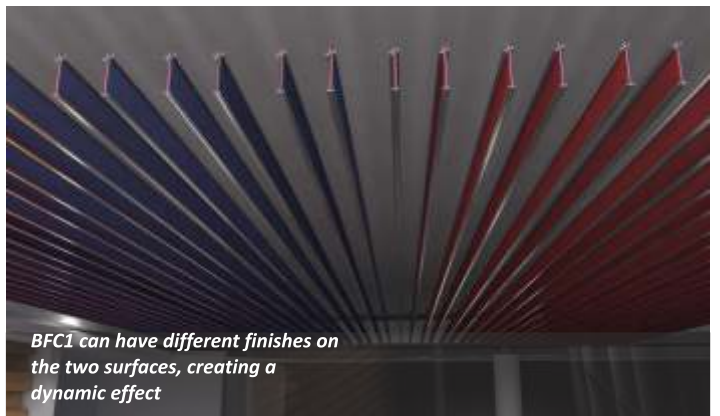


This highly **customizable, modular and multifunctional, Aluminium based Baffle Ceiling System** provides unique combinations of materials, patterns, orientation, profiles, finishes and integrated lighting solutions for spaces like **Airports, Railways & Metro Stations, Offices, Cafes, retail spaces** as well as **residential apartments**.

This is probably **world's first integrated lighting baffle ceiling system** in which multiple and different faces can be lit with edge lit acrylic. **This system has patent applied for.** It can also hold materials like lacquered glass, cork, veneer, laminated ply, printed PVC.



*two different types of patterns visible from two opposite sides of the room*



*BFC1 can have different finishes on the two surfaces, creating a dynamic effect*



*BFC1 can be used innovatively, for instance, with prelam board extensions*



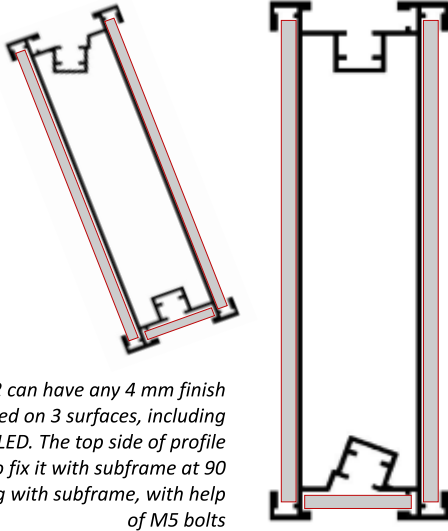
0 800 400 0000





**MODULAR  
BAFFLE CEILING  
BFC02 120 x 41.5**

<https://iqubx.com/aluminium-sound-baffle-ceiling-system/>



BFC2 can have any 4 mm finish embedded on 3 surfaces, including edge-lit LED. The top side of profile is used to fix it with subframe at 90 or 20 deg with subframe, with help of M5 bolts

**Technical Data**

**BFC2**  
120 X 41.5 mm

**Material finishes options**

- Lacquered glass
- Cork
- ACP sheet
- Laminated mdf
- Veneer
- Printed vinyl on sunboard / PVC sheet
- Edge lit acrylic
- Powder coated in any color or anodized

**GREENPRO** certified, made of 6063 aluminium alloy, 100% recycled aluminium - 10% pre-consumer & 90% post-consumer

*These finishes can be changed at will, depending on the occasion, to create an event and a dynamic environment*

QUBX BFC-2 is a rectangular Aluminium channel and can accommodate a huge number of material combinations on three different wall surfaces, including edge-lit acrylic.

The capability of holding up to **3 different types of materials** on each exposed surface makes it possible to provide two different types of patterns visible from two opposite sides of the room. These baffles can be used to **create vertical edge-lit baffles or portals** too.

**Box baffle 120x42 with changable 4mm material including edge lit acrylic light finishes on 3 surfaces**



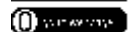
BFC2 with LED lighting at bottom and wood finish



BFC2 with LED lighting at bottom and wood finish



*All the exposed surfaces can incorporate multiple changeable finishes including lacquered glass, cork, laminates, polished veneer, printed vinyl etc*







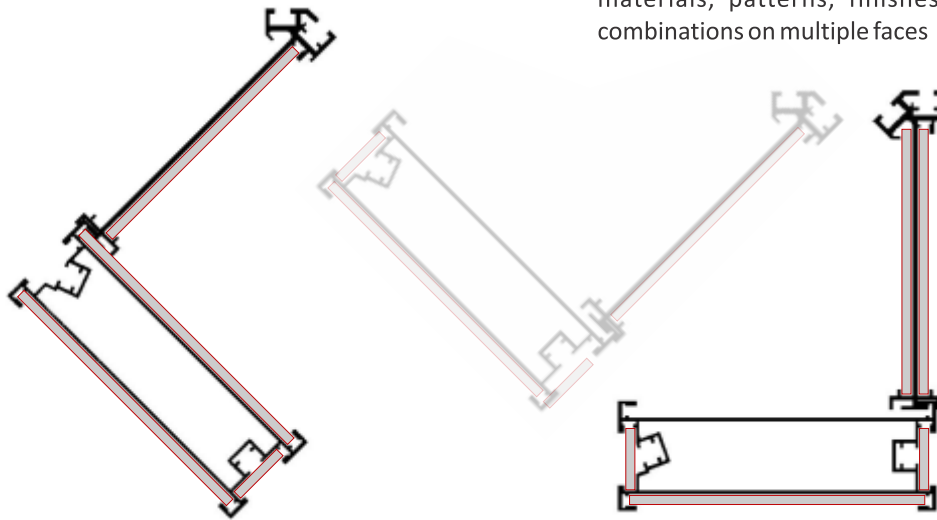
<https://iqubx.com/aluminium-sound-baffle-ceiling-system/>

**Composite baffle 160x120 with possibilities of exciting combination of material finishes, orientation and LED lighting**



QUBX BFC-12 is a combination of IQUBX BFC-1 and IQUBX BFC-2.

The USP of this Baffle ceiling is that, we can merge these two profiles with each other by assembling them mechanically, with endless combinations of various types of materials, patterns, finishes, and combinations on multiple faces



## Technical Data

**BFC12**  
160 X 120 mm

### Material finishes options

- Lacquered glass
- Cork
- ACP sheet
- Laminated mdf
- Veneer
- Printed vinyl on sunboard / PVC sheet
- Edge lit acrylic

Powder coated in any color or anodized



**GREENPRO** certified, made of 6063 aluminium alloy, 100% recycled aluminium- 10% pre-consumer & 90% post-consumer



BFC12 can have any 4 mm finish embedded on 4 or 5 surfaces, including edge-lit LED. The top side of profile is used to fix it with subframe at 90 or 45 deg with subframe, with help of M5 bolts





**MODULAR  
BAFFLE CEILING  
BFC04** 100 x 25  
100 x 50

<https://iqubx.com/aluminium-sound-baffle-ceiling-system/>

**T**his is a simple generic rectangular box section Baffle Ceiling System which can be used anywhere like Airports, Railways & Metro Stations, Offices, Cafes, retail spaces as well as residential apartments.

It is available in 2 sizes 100 x 25 and 100 x 50

It is very easy and simple to install with 2 methods - with aluminium proprietary clips as well as directly with allen bolts.

This design can be finished in any solid colour or wood texture powder coating which is maintenance free and long lasting. Alternatively, it can be anodize finished.

**Box baffle 100x25 and 100x50 in wood and solid colour powdercoat finishes**



**Technical Data**

**BFC04**  
100 x 25 mm  
100 x 50 mm

**Material finishes options**

Powder coated in any color / wood finish or anodized

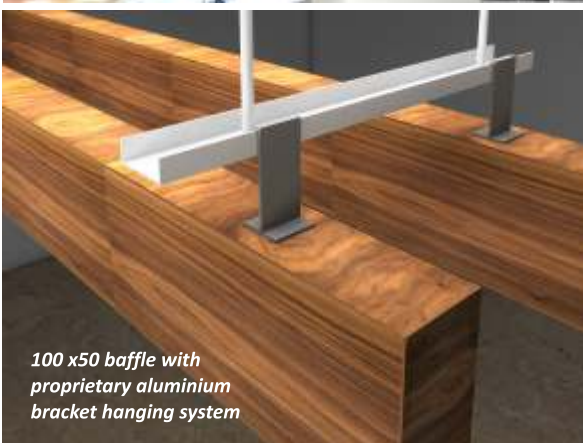
**GREENPRO** certified, made of 6063 aluminium alloy, 100% recycled aluminium- 10% pre-consumer & 90% post-consumer



*A very dynamic and evocative design using BFC4 with 4 random colours in wave one food court at noida, new delhi*



*There are 2 fixing systems - with proprietary aluminium clips and directly with M5 bolts*



*100 x50 baffle with proprietary aluminium bracket hanging system*







# MODULAR BAFFLE CEILING BFC03 any height x 39

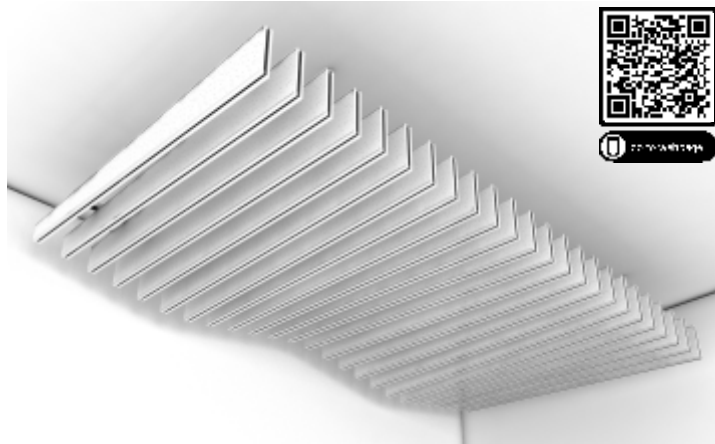
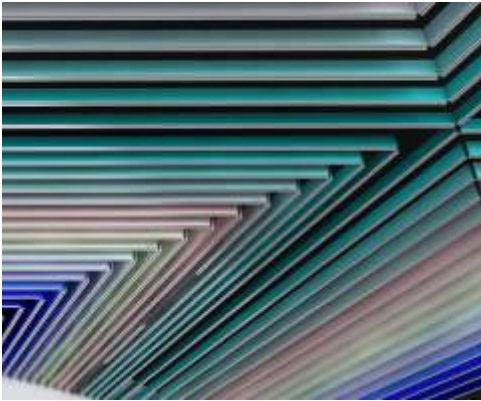


<https://iqubx.com/aluminium-sound-baffle-ceiling-system/>

**Box baffle any ht x 39 with true  
NRC value based on infill material 12mm**

*The possibility of  
varying height and  
multiple colours or  
finishes can make this a  
very versatile design  
tools in hands of  
designers*

*Painted gypsum board  
or mineral tiles with  
varying heights can  
create amazing designs*



**mineral ceiling tiles can be  
incorporated as finishes for  
high NRC value at very low cost**



**finishes like cork, wood  
is possible**

## Technical Data

### BFC03

**39 mm x 25 mm channel, can  
be assembled into any height  
x 39 mm**

- Lacquered glass
- Cork
- ACP sheet
- Laminated mdf
- Veneer
- Printed vinyl on sunboard / PVC sheet
- Edge lit acrylic

Powder coated in any color or  
anodized

**GREENPRO** certified, made of 6063  
aluminium alloy, 100% recycled  
aluminium- 10% pre-consumer & 90%  
post-consumer

**B**affle Ceiling Systems,  
BFC3, is **very economic  
and of very flexible size and  
finishes**. Effectively, this  
system is versatile & eco-  
nomic for use in virtually in all  
the projects.

BFC3 system can be delivered  
in **any section height**. This  
modular baffle ceiling system  
BFC3 is a 2 component frame  
which can be assembled  
together to form a complete  
frame of any height as per  
requirement. This is made  
possible by making a **trussed  
channel with intermediate  
aluminium plates riveted to  
the end channel sections**.

This strategy results in overall reduction of material and cost. The height of this system can go as high as 300 mm or even 900 mm, if the design requires so. Higher the section, more economic would be the per unit area cost of the ceiling.

This system can also take various kind of finishing materials, but these materials are not changeable easily. Slots on both sides of the complete frame can hold **10 to 12mm thick finishing material like prelaminated particle board, gypsum board, cork sheet or veneered ply or 3mm lacquered glass or acoustic board on particle board backing** etc. One of the most innovative use of BFC3 can with 10mm thick **mineral tile** used in grid false ceiling, which have **high NRC value** and are very cost effective. Prelaminated particle board can also have printed vinyl pasted on it.

The system channels can be finished in anodizing, solid and wood powder coating, as required.



**2 components can be  
assembled in a chassis  
construction for any  
height**



**BFC3 with cork finish, any height  
possible**

**installation with  
proprietary clips or  
M5 bolts to subframe**





*BFC3 can be shaped as trapezium or curved as per design requirement, and these patterns can also vary in the installation to create further dynamic and creative designs*



*BFC3 with mineral grid tiles, any height possible. This finish can be painted as well*



*In BFC3, in each baffle, the bottom face can be curved as well as the baffles can be laid to establish a curved look*



Published April 2022



APPOINTING  
DISTRIBUTORS  
ALL OVER INDIA  
& OUTSIDE

IQUBX PVT LTD  
Plot No 22, khasra no 27/10,  
Industrial Area, Nangli Sakrawati,  
Near Campa Cola Factory,  
Najafgarh, New Delhi, 110043

[www.iqubx.com](http://www.iqubx.com)  
<https://www.facebook.com/iqubx/>  
<https://www.linkedin.com/company/iqubx/>  
<https://www.instagram.com/iqubx/>

### Modular Green Building Furniture & Interior Systems

Mktg +91 9999001967, 8506074444, 7065444402 | info@iqubx.com

*The only certified Green Products in their categories in India*

We design customized solutions

#### Modular Aluminum Interior products

Glass Partition Systems - Single, Double Glazed, DGU Glass  
Demountable Wall Partition & Paneling Systems  
Doors and Door Frames  
Free standing office cabin partitions & booths  
Dry Cladding Readymade Room Partition Walls (Drywall - Stone & Tiles)  
Modular Baffle Ceiling Systems (PATENT applied)

#### Ceiling Trap Doors

Work Stations, Modular table Leg Systems, Modular Partitions, Popup Boxes  
Misc: Skirting Board, Chair Rail, carpet transition profile, corner guard

#### Modular Aluminum Electrical products

Floor Boxes, Floor Junction Boxes (PATENT applied), Raceways  
Floor Raceways Trunking Systems  
Cable Distribution & Termination - Open Frame Racks - 2 & 4 Poles, D Ring



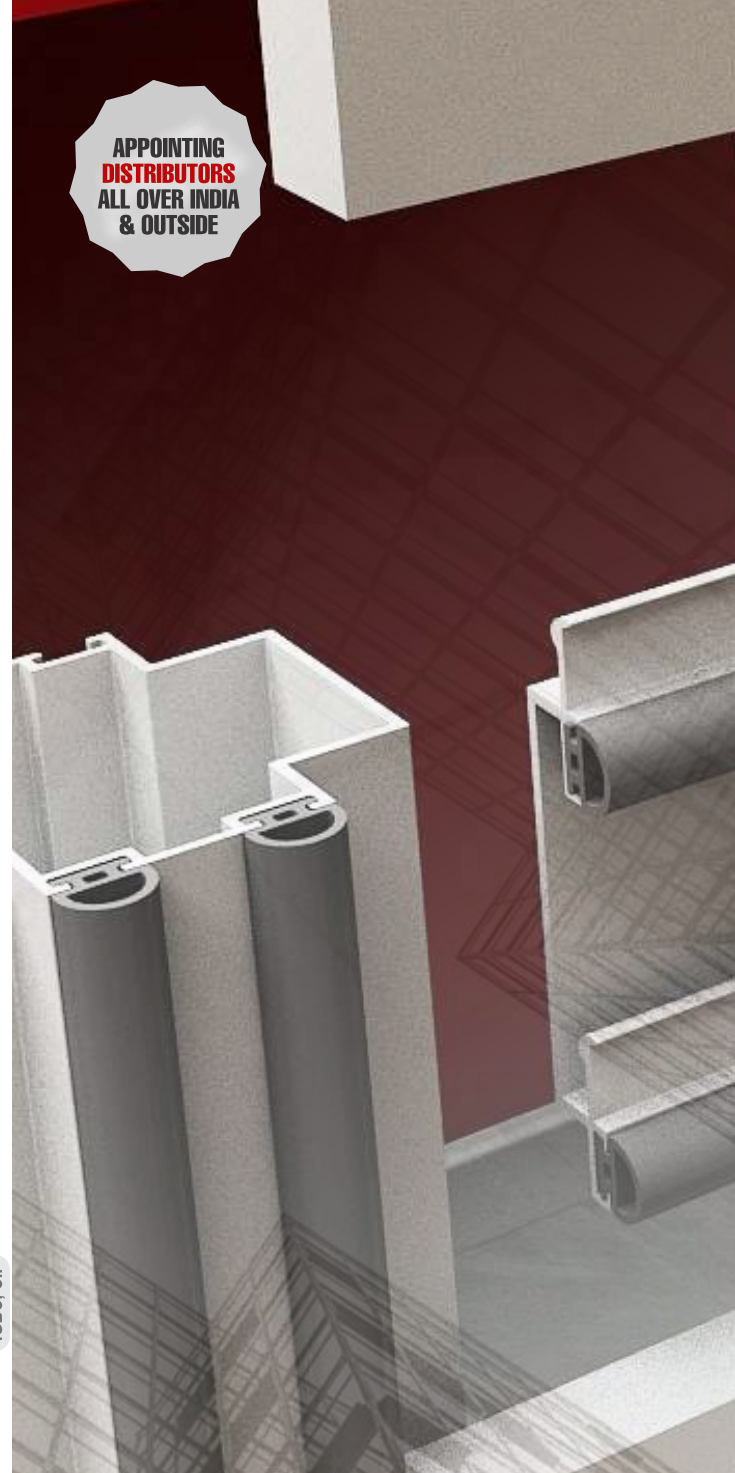
certified by  
IGBC, CII

High performance & Functionality **Ultrafast installation** Minimum Human Labour  
**Highly customizable** Modifiable **Relocatable** Minimum components

distributor



view auth  
distributor  
list online



DESIGNERS & MANUFACTURERS  
OF LARGEST NUMBER OF  
GREEN CERTIFIED  
MODULAR FURNITURE &  
INTERIOR SYSTEMS IN INDIA

[www.iqubx.com](http://www.iqubx.com)



*All copyrights, trademarks, Intellectual property rights, patents reserved in name of IQUBX pvt ltd and its directors. Any copying of logo, images, designs, product designs without explicit written permission of the directors of IQUBX pvt ltd shall be a punishable offence. All the product designs are IPR protected*