

All copyrights, trademarks, intellectual property rights, patents reserved in name of IQUBX pvt ltd and its directors. Any copying of logo, images, designs, product designs without explicit written permission of the directors of IQUBX pvt ltd shall be a punishable offence. All the product designs are IPR protected

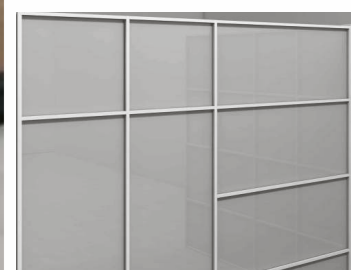
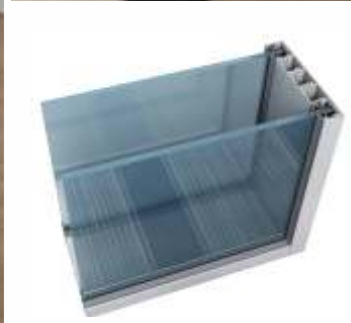


**MODULAR
GLASS
PARTITION**
GP18100 S,D,V
GP2160 S,D,V
GP4028
GP2510
GP2512 S,D

Georgian bar
/ crittal / grid
glass systems

**GPC1415
GPC2060**

www.iqubx.com





MODULAR GLASS PARTITION GP18100 S/D/V

<https://iqubx.com/glass-partition/>



Technical Data

Partition assembled section – 18 x 100

Main channel - GP18100a - 9 x 100 mm

Edge channel - GP18100b - 18 x 4 mm

Center channel - GP18100c - 14 x 20 mm

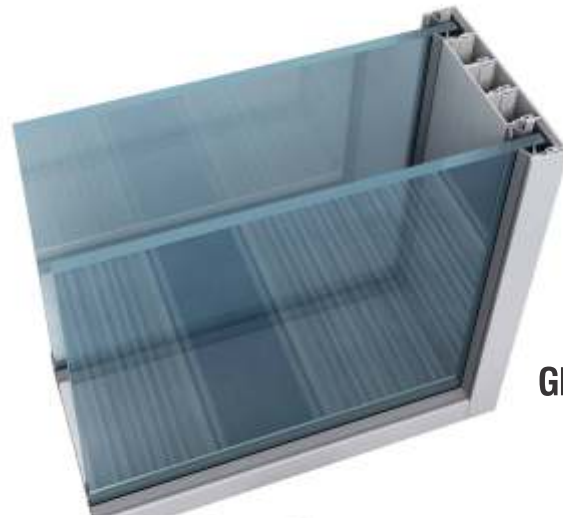
VIG channel - GP18100d - 23 x 20 mm

All components are raw mill finish and can be powder coated in any powder coat color or anodized

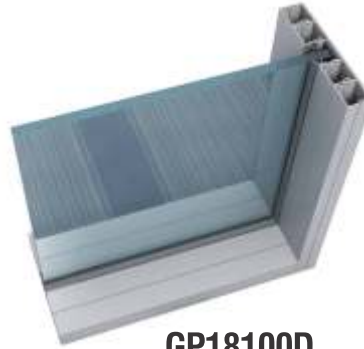
Various glass thickness can be accommodated 10mm to 12mm float glass

It gives superior acoustic insulation due to modular discontinuity across the section
GP18011D is STC 54 certified

GREENPRO certified 6063 aluminium alloy, 100% recycled aluminium - 10% pre-consumer & 90% post-consumer



GP18100S



GP18100D



GP18100V

100 wide with multiple glazing options of single glass, double glass and Vacuum insulated glass

This is a revolutionary **ultra-slim** modular glass partition wall design from IQUBX where a single system is designed to accommodate **multiple glazing options**.

This glass partition system can accommodate **single glass, double glass, even 3 glasses and Vacuum Insulated Glass (VIG)**, also called Double Glass Unit (DGU) too.

Glazing pane options

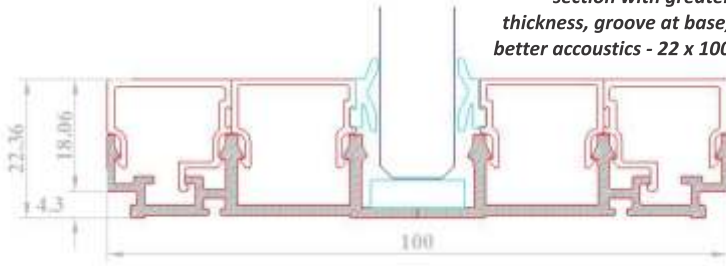
GP18100S Single glass – Glass in center, 10mm, 12mm

GP18100D Double glass – Glass on both edges, 8mm, 10mm

GP18100V Vacuum Insulated Glass / Double glass unit in center, 18mm (5mm + 5mm + 8mm gap) to 24mm



Gp18100 new improved section with greater thickness, groove at base, better acoustics - 22 x 100



Public Service Directorate of India
 On ADD (R) Research & Development, APJ & DD
 14-B, L. P. Estate, Ring Road, New Delhi - 110002

Test Report no.28/2019-20 Dated: 22.11.2019

Testing Place: Acoustic Lab

Description of Test Specimen		Description of Test Laboratory	
Client	IAF, IQUBX, Pw, job	Volume of Test Room	60 m ³
Customer	Sh. Sagar Verma	Temperature	24.1 °C
Sample name	Existing glass aluminium Partition system IQUBX GP-18100	Humidity	25 %
Test specification	Double glass with aluminium frame	Sample area	1.100 m ²
Business		Type of Noise Used	Pink
		Equipment	Building Acoustic Analyser

Ravi Kumar
Asst. Engineer

[Signature]
Director (E)

CI- Green Products and Services Council

Aluminium-Modular Glass Partition (GP18100)

MANUFACTURED BY IQUBX FRAME SYSTEMS (PVT) LTD. under the representation of aluminium companies and quality assurance product. This certificate is valid till December 2022.

Major advantages - benefits

The glass panels can be changed including their configuration of 1,2 or VIG / DGU glass, even after installation. Therefore, when it is felt that a certain cabin needs to be more acoustically insulated, the single glass can be upgraded to double glass or VIG glass without any problem. Glass of 8mm to 12mm can be used and VIG of 18 to 25mm is ideal.

A single glass partition system will be able to fulfill project requirement of different glass wall systems, thus, reducing on logistics & wastage.

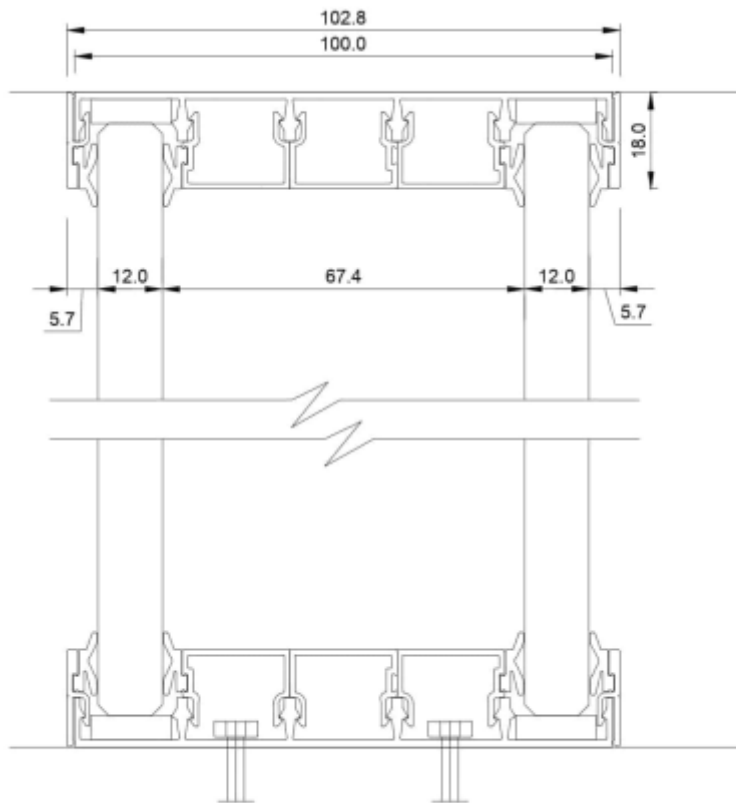
GP18100 is very easy to install and can be integrated with other IQUBX system like Door Frame DF01, Glass Door GD01, GD02, Demountable Partition system WP01P and many more

The new aesthetics is distinct and adds to exclusiveness

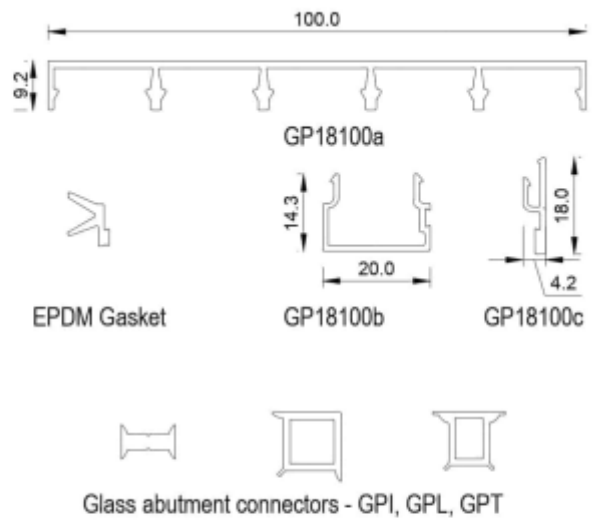
The system is very easy to maintain, repair, change

GP18100D is STC54 certified which makes it ideal for dense office use where sound insulated cabins and spaces are required





GP-18100D assembly of components and fixing

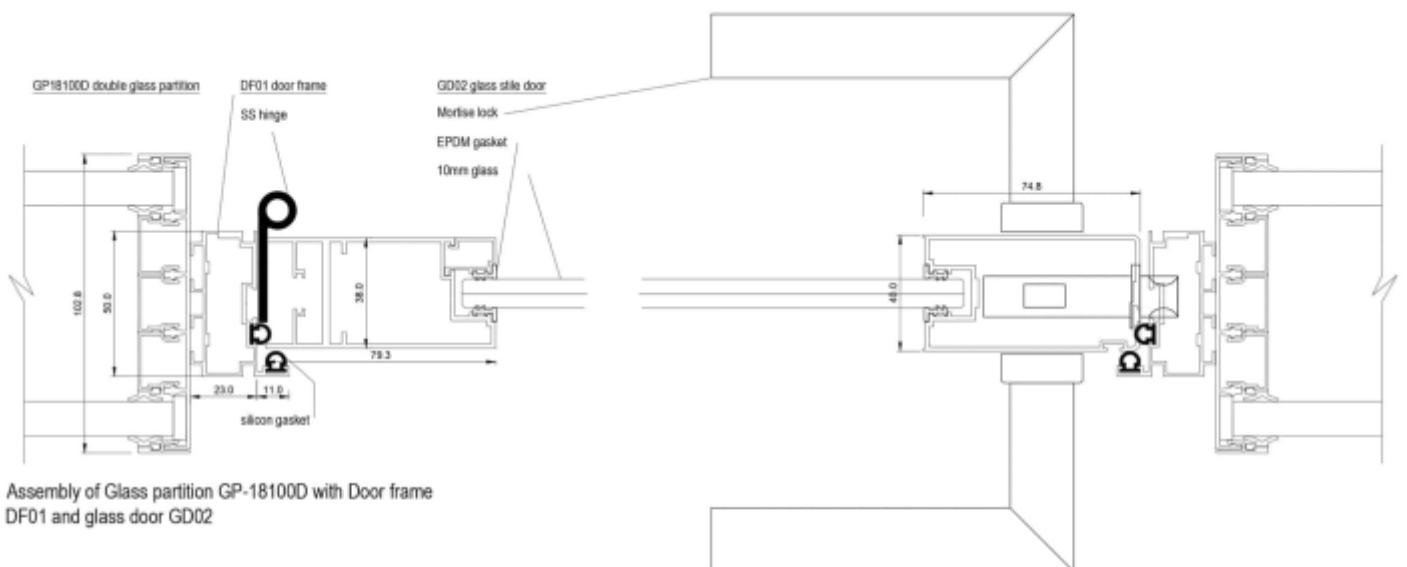


Glass abutment connectors - GPI, GPL, GPT

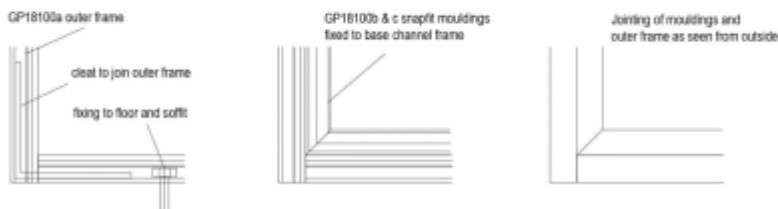
IQUBX GP18100D

Multi-glazing option Modular Double glass partition system

- Proprietary design made and produced in India
- STC 54 certified in lab conditions
- IGBC GREENPRO certified by IGBC, CII
- 100% recycled aluminium
- 30% Pre-consumer and 70% Post-consumer



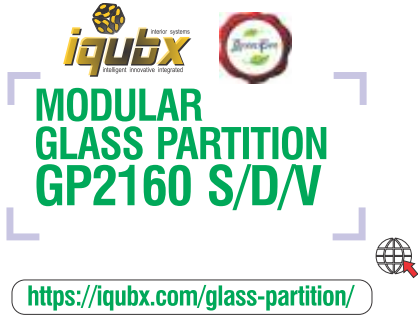
Assembly of Glass partition GP-18100D with Door frame DF01 and glass door GD02



GP-18100D assembly of components and fixing

- IQUBX GD02**
Modular Aluminium stile Door - for single glass 8 - 12mm
- Proprietary design made and produced in India
 - cable for hinge as well as sliding applications
 - Glass installation or change does not require door demounting
 - IGBC GREENPRO certified by IGBC, CII
 - 100% recycled aluminium
 - 35% Pre-consumer and 70% Post-consumer

- IQUBX DF01**
Modular Aluminium universal Door frame - for glass & demountable partitions, gypsum and masonry walls
- Proprietary design made and produced in India
 - Double door seal for better sound proofing
 - IGBC GREENPRO certified by IGBC, CII
 - 100% recycled aluminium
 - 30% Pre-consumer and 70% Post-consumer



60 mm wide with multiple glazing options of single glass, double glass and Vacuum insulated glass in same system

This is an optimized version of the revolutionary GP18100 series. This Iqubx glass partition system is designed to accommodate multiple glazing options like single glass, double glass and Vacuum Insulated Glass (VIG). It is slightly thicker at 21mm and less wide with just 60mm footprint. It has better acoustic performance even with single glass. It is stronger and has innovative joinery to form frames with inner brackets and nut-bolts. It has a 3mm groove at base for better detailing.

The glass panels can be changed including their configuration of 1,2 or VIG / DGU glass, even after installation. Therefore, when it is felt that a certain cabin needs to be more acoustically insulated, the single glass can be upgraded to double glass or VIG glass without any problem. A single glass partition system will be able to fulfill project requirement of different glass wall systems, thus, reducing on logistics & wastage.

Technical Data

Partition assembled section – 21 x 60

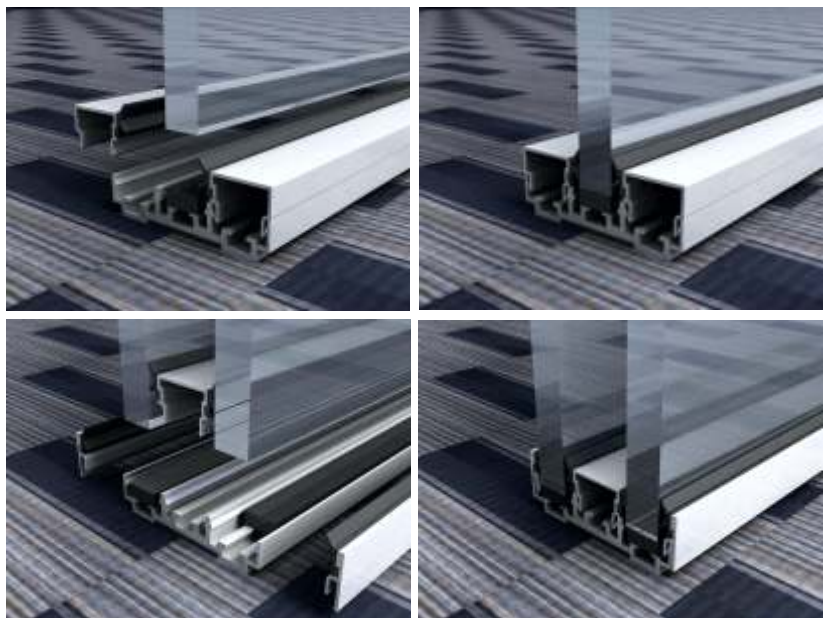
- Main channel - GP2160a - 12 x 60 mm
- Edge channel - GP18100b - 18 x 4 mm
- Center channel - GP18100c - 14 x 20 mm
- Center channel - GP2160c - 14 x 20 mm
- VIG channel - GP18100d - 23 x 20 mm

All components are raw mill finish and can be powder coated in any powder coat color or anodized

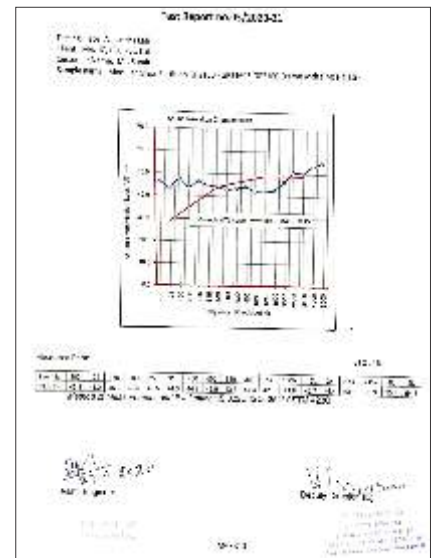
Various glass thickness can be accommodated 10mm to 12mm float glass

It gives superior acoustic insulation due to modular discontinuity across the section
GP2160S is **STC 45 certified**

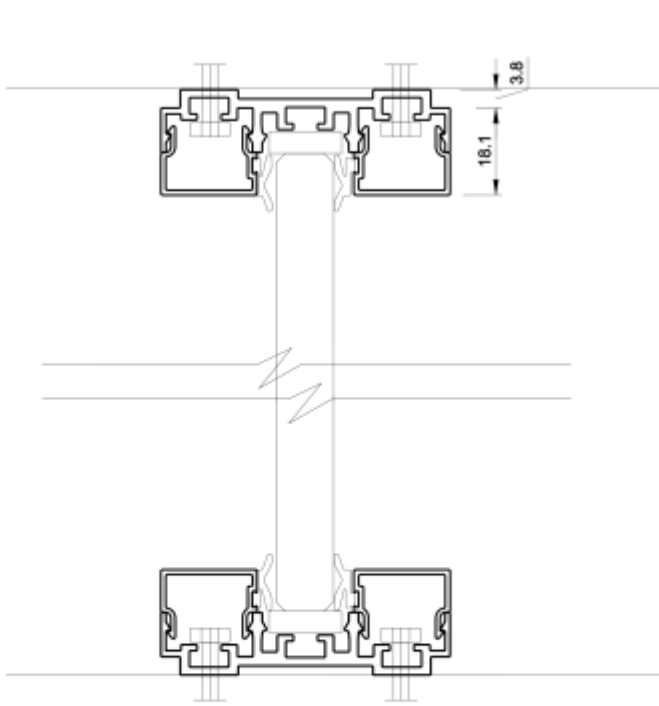
GREENPRO certified 6063 aluminium alloy, 100% recycled aluminium - 10% pre- consumer & 90% post-consumer



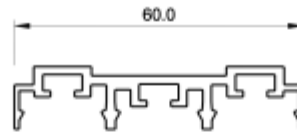
an underconstruction site



WEBSITE



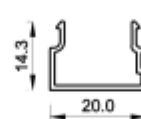
GP-2160S assembly of components and fixing



GP2160a



EPDM Gasket



GP18100b



GP18100c



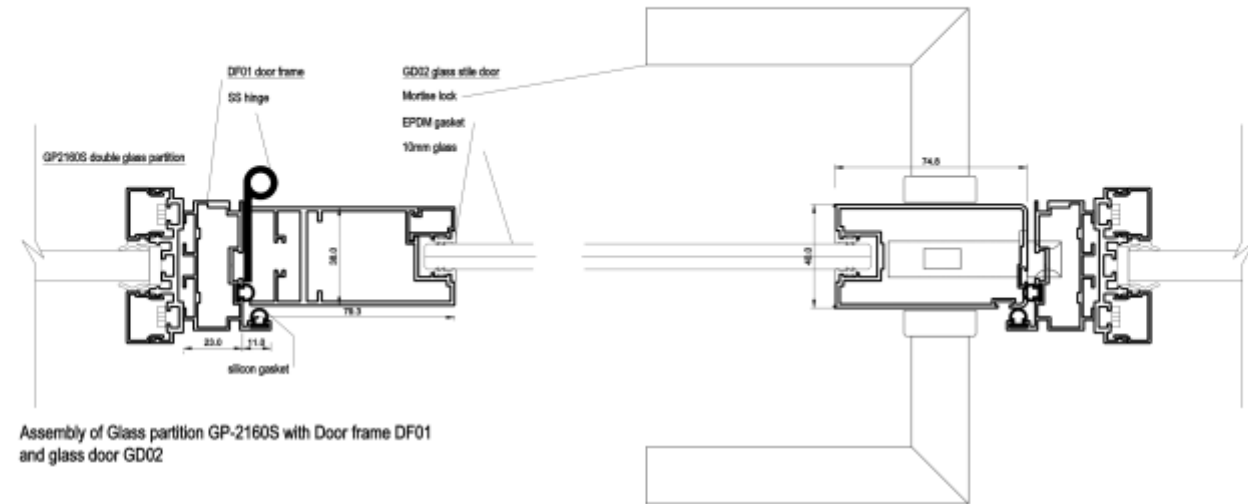
Glass abutment connectors - GPI, GPL, GPT

IQUBX GP2160S

Multi-glazing option Modular Single glass partition system

- Proprietary design made and produced in India
- STC 45 certified in lab conditions
- IGBC GREENPRO certified by IGBC, CII
- 100% recycled aluminium
- 30% Pre-consumer and 70% Post-consumer

IQUBX B 10, Kiran Garden, Malviya Road Utam Nagar, NEW DELHI - 110058 +91 9811204811, 9310488830 info@creativeboards.in, creative@creativeboards.in	This design and drawing is intellectual property of IQUBX Pvt. Ltd. and shall remain confidential for all other purposes. It is approved by the Director of IQUBX, Delhi which signifies legal authority only for India.	PROJECT	Revision	Date	Particulars	SHEET TITLE:	Date:- 01-10-20
		CHECKED BY: A.G				GP-2160S	IQ/GP2160/1
		DRAWN BY: tab					



Assembly of Glass partition GP-2160S with Door frame DF01 and glass door GD02

- IQUBX GD02**
 Modular Aluminium stile Door - for single glass 19 - 19mm
- Proprietary design made and produced in India
 - Suitable for hinges as well as sliding applications
 - Glass installation on change doors not require door demounting
 - IGBC GREENPRO certified by IGBC, CII
 - 100% recycled aluminium
 - 30% Pre-consumer and 70% Post-consumer

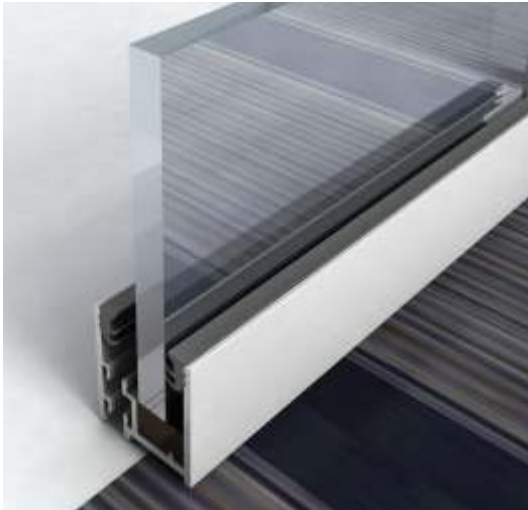
- IQUBX DF01**
 Modular Aluminium universal Door Frame - for glass & demountable partitions, gypsum and masonry walls
- Proprietary design made and produced in India
 - Double door seal for better sound proofing
 - IGBC GREENPRO certified by IGBC, CII
 - 100% recycled aluminium
 - 30% Pre-consumer and 70% Post-consumer

IQUBX B 10, Kiran Garden, Malviya Road Utam Nagar, NEW DELHI - 110058 +91 9811204811, 9310488830 info@creativeboards.in, creative@creativeboards.in	This design and drawing is intellectual property of IQUBX Pvt. Ltd. and shall remain confidential for all other purposes. It is approved by the Director of IQUBX, Delhi which signifies legal authority only for India.	PROJECT	Revision	Date	Particulars	SHEET TITLE:	Date:- 01-10-20
		CHECKED BY: A.G				assembly detail GP-2160S + DF01 + GD02	IQ/GP2160/3
		DRAWN BY: tab					

iqubx inter systems
design innova create

**MODULAR
 GLASS PARTITION
 GP4028**

<https://iqubx.com/glass-partition/>

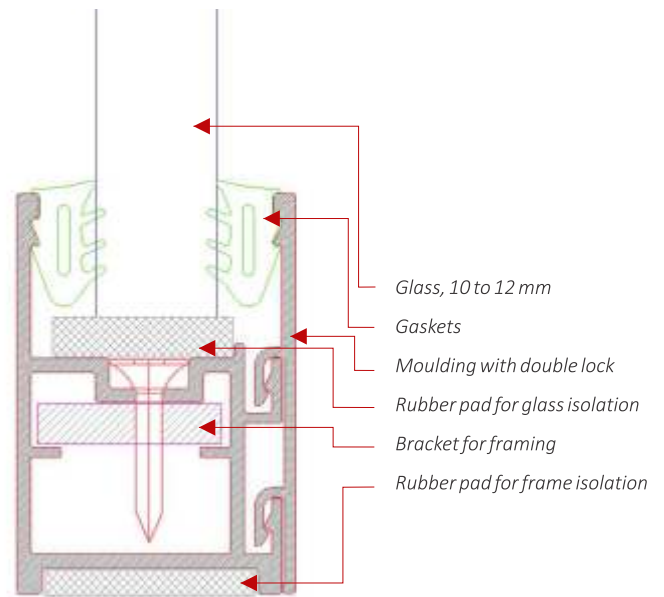


28 mm wide for single glass, 48mm high with double lock snap moulding, high acoustic performance

IQUBX GP4028 is a premium, heavy weight, maintenance free, greenpro certified glazed partition system designed for superior acoustic performance.

This system has sleek snap-fit sections, enabling easy assembly or change of glass, without creating any chaising in the floor or ceiling. Being, modular, they can be removed and re-enacted at any other location without too much wastage, even if size needs to be changed.

We recommend 10 to 12 mm float glass be used with GP4028.



Technical Data

Partition assembled section – 40 x 28

Main channel - GP4028a - 40 x 26.4 mm

Edge channel - GP4028b - 40 x 4.2 mm

All components are raw mill finish and can be powder coated in any powder coat color or anodized

Various glass thickness can be accommodated 10mm to 12mm float glass

This model gives superior acoustic insulation

GREENPRO certified 6063 aluminium alloy, 100% recycled aluminium - 10% pre- consumer & 90% post-consumer



WEEPAGE



MODULAR GLASS PARTITION GP2510, 2512(D)

<https://iqubx.com/glass-partition/>



25 mm high for single glass and double glass, good acoustic performance



Technical Data

GP2510	25 X 41.5	for 8-10mm glass
GP2512	25 X 50	for 10-12mm glass
GP2512D	25 X 100	for 2 x 10-12mm glass

All components are raw mill finish and can be powder coated in any powder coat color or anodized

GREENPRO certified 6063 aluminium alloy, 100% recycled aluminium - 10% pre- consumer & 90% post-consumer

IQUBX GP2510 and GP2512(D) are maintenance free, greenpro certified durable glazed partition systems which can be assembled very quickly in a non-messy way.

These systems have sleek snap-fit sections, enabling easy assembly or change of glass, without creating any chaising in the floor or ceiling. Being, modular, they can be removed and re-enacted at any other location without too much wastage, even if size needs to be changed. Since they are framed, float glass can be used, saving time and money, and float glass can be resized on relocation.

We recommend that 8 to 10 mm float glass be used with GP2510, while GP2512 / GP2512D can hold 10 to 12mm glass.

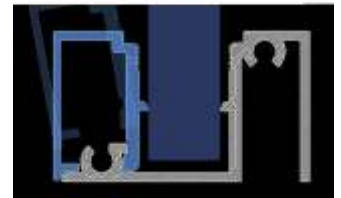


GP1510



GP2512 GP2512D

GP2510





MODULAR GLASS PARTITION GPC2060

<https://iqubx.com/glass-partition/>



WEBSITE

20 x 60 mm true structural grid system, modular, modifiable



Our high performance engineered aluminium design of GPC2060 offers all design and style capabilities of the classic urban deco style look.

With the edge profile of just 20mm, it is a **structural load bearing partition system** with **flexibility of any grid pattern and size.**

Critical look Aluminium Glass partition IQUBX GPC2060 is very easy to assemble and fix in any size and grid configuration on site, with the basic channels supplied. It is designed to take glass of 8mm which may be float glass or toughened.

The best finish for this system style is black or white powder coating, though it can be provided in any shade of powdercoat or anodizing as per requirement.

Technical Data

20 x 60 mm for 8 mm glass

All components are raw mill finish and can be powder coated in any powder coat color or anodized

GREENPRO certified

6063 aluminium alloy, 100% recycled aluminium - 10% pre-consumer & 90% post-consumer





<https://iqubx.com/glass-partition/>

14 x 15 mm add on grid system, modular, modifiable, can be used in existing glass

This is a sleek non-structural add-on modular grid for an existing or new glass partition, which has to be added from both sides of the glass. The design is such that it can be used on any kind of existing glass partition – frame less, aluminium glass partition or wooden glass partition.

The joint has been designed for complete ease and flexibility with strength. The edge of the profile is just 15mm. With the depth of just 14mm, it can be easily installed on doors, windows and sliding partitions as well.

The best finish for this system style is black or white powder coating, though it can be in any shade of powdercoat, wooden powdercoat or anodizing.

Glass partition and doors, styled after Crittall doors & windows, also called georgian bar style or grid glass system, are making a comeback after several years.

Crittall-look or Crittall-style is linked to the Urban Art-deco movement and the modern movement. Black coloured Crittall slim grids became a classic style in the last century.

Crittall look is apt for the modern contemporary

Glass partitions are widely used in contemporary office and residential interiors, allowing a **flow of space and light**. Till now, these aluminum glass partitions were minimalistic and more seamless.

However, the **visual grammar of the modern contemporary is changing to eclectic and fashionable**. It is now inclusive of many references – retro-style historical movements, ethnic and cultural references and ultra-modern and futuristic styles.

Ultra-sleek and high performance grid or banded aluminium glass partitions and doors, styled after Crittall Doors & Windows, subscribe to this definition quite well, while allowing the functional requirement of glass partitions allowing the flow of light and space.

Crittall look aluminium glass partitions and doors while on one hand add a bit of **an extra detail, providing adequate warmth, elegance, class and retro touch** to otherwise impersonal ambience, its **ultra-sleek profiles enriches the modern tech contemporary look**.

Technical Data

14 x 15 on any glass, ideally installed from both sides

powder coat color or anodized

GREENPRO certified 6063 aluminium alloy, 100% recycled aluminium- 10% pre-consumer & 90% post-consumer



Published April 2022



APPOINTING
DISTRIBUTORS
ALL OVER INDIA
& OUTSIDE

IQUBX PVT LTD
Plot No 22, khasra no 27/10,
Industrial Area, Nangli Sakrawati,
Near Campa Cola Factory,
Najafgarh, New Delhi, 110043

www.iqubx.com
<https://www.facebook.com/iqubx/>
<https://www.linkedin.com/company/iqubx/>
<https://www.instagram.com/iqubx/>

Modular Green Building Furniture & Interior Systems

Mktg +91 9999001967, 8506074444, 7065444402 | info@iqubx.com

The only certified Green Products in their categories in India

We design customized solutions

Modular Aluminum Interior products

Glass Partition Systems - Single, Double Glazed, DGU Glass
Demountable Wall Partition & Paneling Systems
Doors and Door Frames
Free standing office cabin partitions & booths
Dry Cladding Readymade Room Partition Walls (Drywall - Stone & Tiles)
Modular Baffle Ceiling Systems (PATENT applied)

Ceiling Trap Doors

Work Stations, Modular table Leg Systems, Modular Partitions, Popup Boxes
Misc: Skirting Board, Chair Rail, carpet transition profile, corner guard

Modular Aluminum Electrical products

Floor Boxes, Floor Junction Boxes (PATENT applied), Raceways
Floor Raceways Trunking Systems
Cable Distribution & Termination - Open Frame Racks - 2 & 4 Poles, D Ring



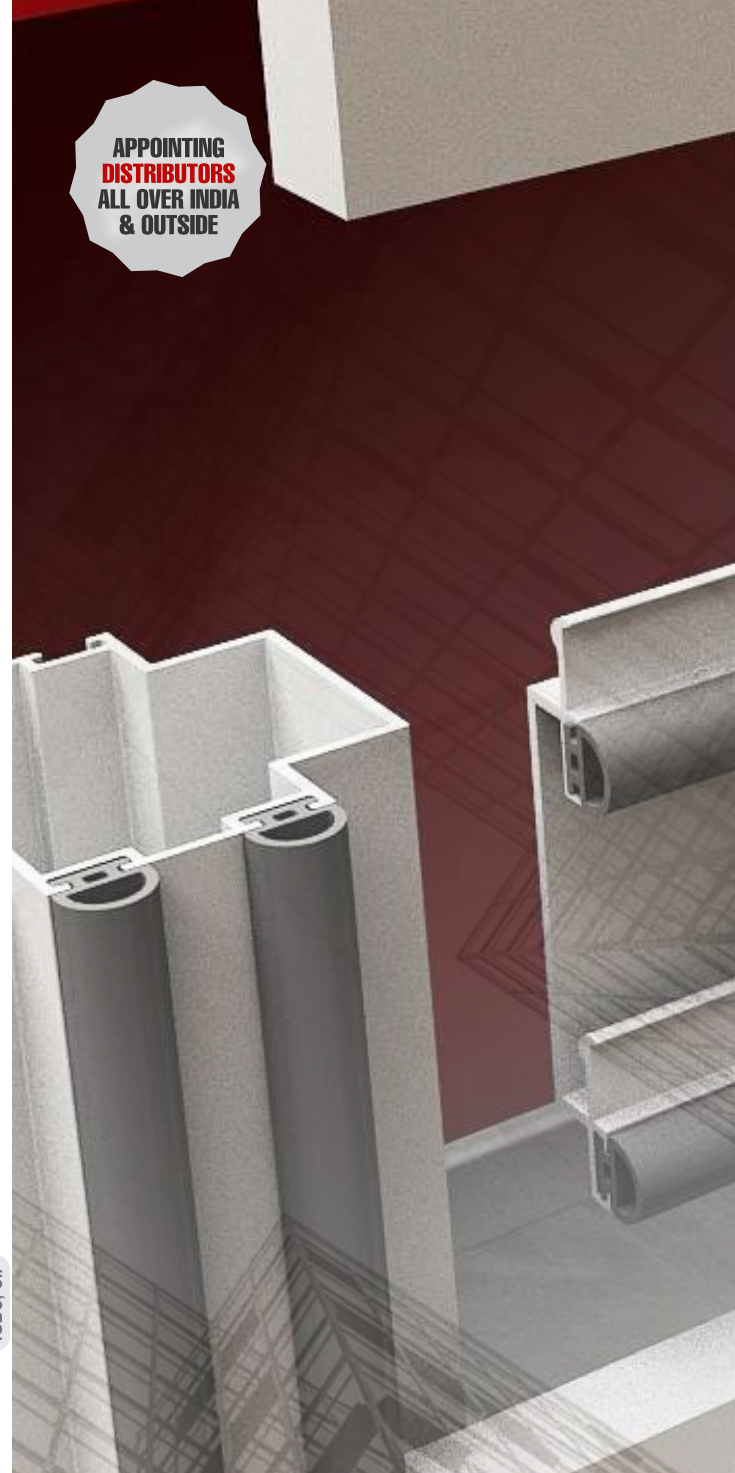
certified by
IGBC, CII

High performance & Functionality **Ultrafast installation** Minimum Human Labour
Highly customizable Modifiable **Relocatable** Minimum components

distributor



view auth
distributor
list online



DESIGNERS & MANUFACTURERS
OF LARGEST NUMBER OF
GREEN CERTIFIED
MODULAR FURNITURE &
INTERIOR SYSTEMS IN INDIA

www.iqubx.com



All copyrights, trademarks, Intellectual property rights, patents reserved in name of IQUBX pvt ltd and its directors. Any copying of logo, images, designs, product designs without explicit written permission of the directors of IQUBX pvt ltd shall be a punishable offence. All the product designs are IPR protected