



webpage

All copyrights, trademarks, intellectual property rights, patents reserved in name of IQUBX pvt ltd and its directors. Any copying of logo, images, designs, product designs without explicit written permission of the directors of IQUBX pvt ltd shall be a punishable offence. All the product designs are IPR protected



the ONLY brand with
BIG size
ODD size
Trapdoors in the country

CEILING TRAP DOORS

- CTD024
- CTD024A
- CTD025
- CTD023(H)

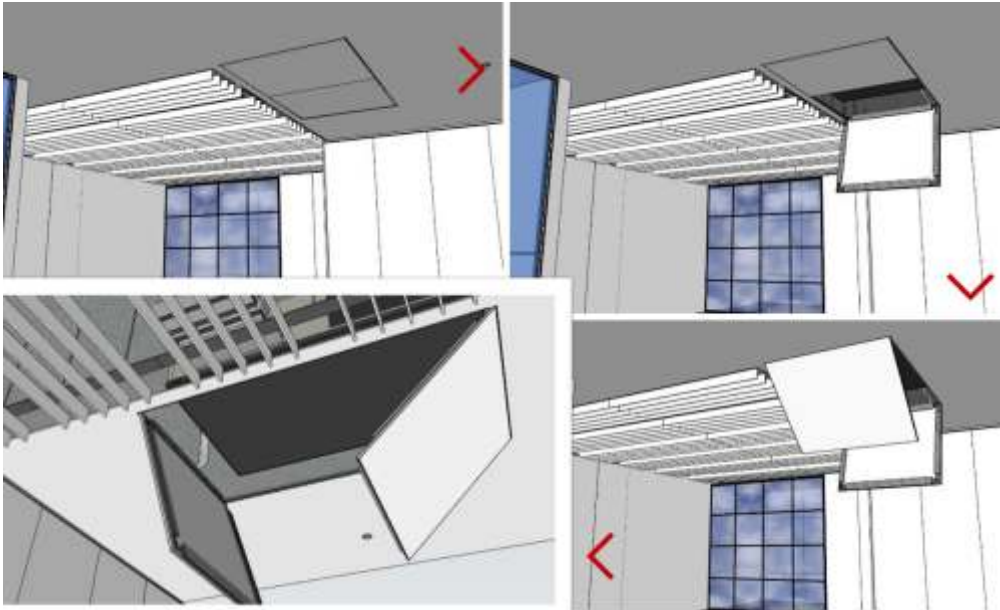
www.iqubx.com [®]



<https://iqubx.com/access-ceiling-trap-door/>

Light weight, strong, modular ceiling trap door supplied in odd and big sizes, with only a thin groove around shutters

IQUBX Access Ceiling Trap Door **CTD024** is a **GREENPRO** certified (by IGBC, CII) access panel door system or a roof hatch, designed to be of a flexible size as per requirement. **CTD024A** has acoustic insulation gasket and a lay-in type construction



Advantages of CTD024

They can be made to **big sizes** – upto 10' long. For instance, even 10' x 10'. Big frames & shutter are reinforced with stiffeners to prevent warping

IQUBX CTD incorporate a **proprietary multi-functional stiffener section** to **strengthens bigger shutters and frames**. It is also used as allen locks platform & as sliding hinge channel

Only a **uniform 1 to 2.5mm groove** all around due to innovative sliding hinge, making it blend seamlessly with the ceiling

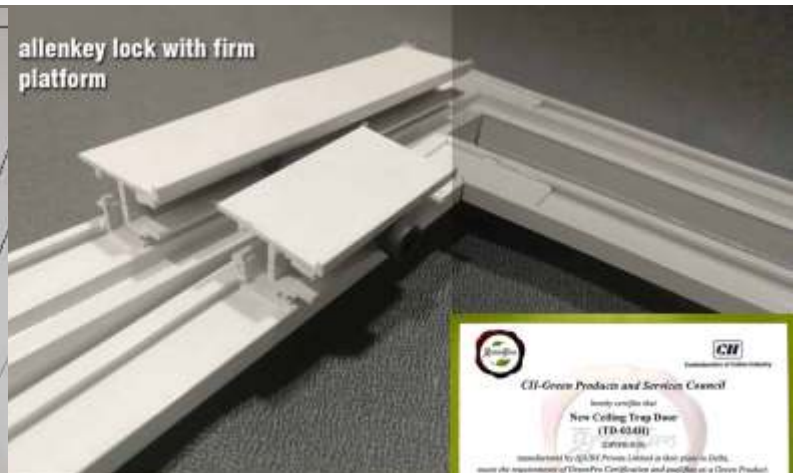
They are made of a **size exactly as per requirement of the client**. For instance **odd sizes** like 467 x 1260 mm. All trap doors are fabricated to exact size with minium TAT

Very safe - shutters are secured with steel wire & locked with allen key lock. Sliding hinge doesn't allow shutters to fall but **shutters can be easily removed if desired**, for better access above ceiling

They are **certified Greenpro by IGBC**. The only green certified ceiling trap doors in the country



allenkey lock with firm platform



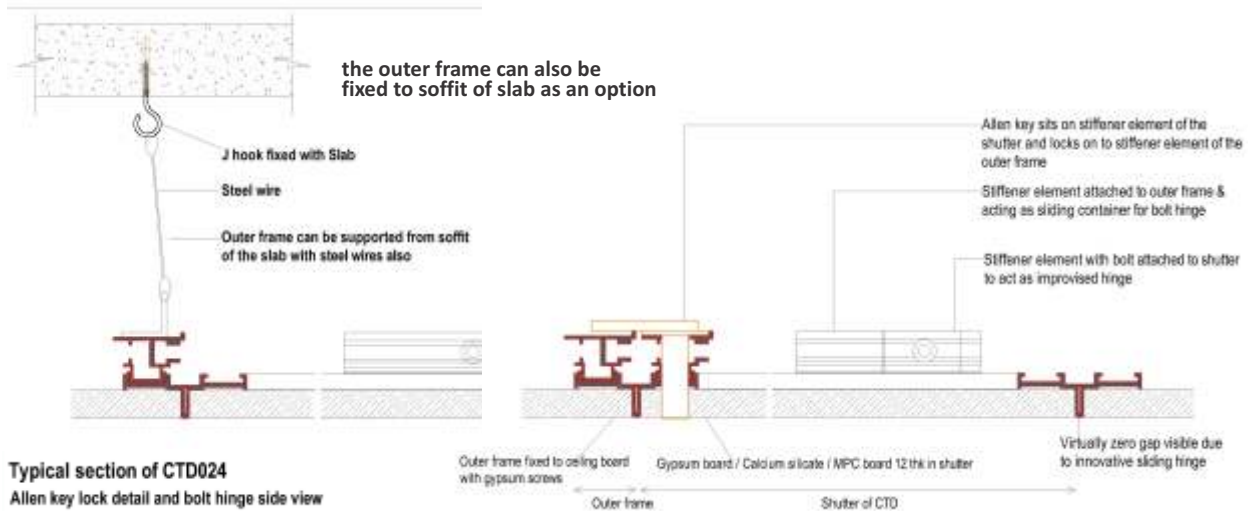
innovative bolt hinge allows access panel shutter movement for zero gap groove and complete removal of access panel door



view from above ceiling side

IQUBX CTD024 CEILING TRAP DOOR





Typical section of CTD024
Allen key lock detail and bolt hinge side view

Technical Data

Main ceiling frame & shutter section 26 x 19 mm

Stiffener lock hinge section 30 x 19 mm

Shutter panel material options, thickness 12 mm

Gypsum board
Calcium silicate board
Aluminium composite panel (ACP) with prelam particle board backing
Prelam particle board
Wood Polymer composite (WPC) board
Mineral Polymer composite (MPC) board

All components are raw mill finish and can be powder coated in any powder coat color or anodized

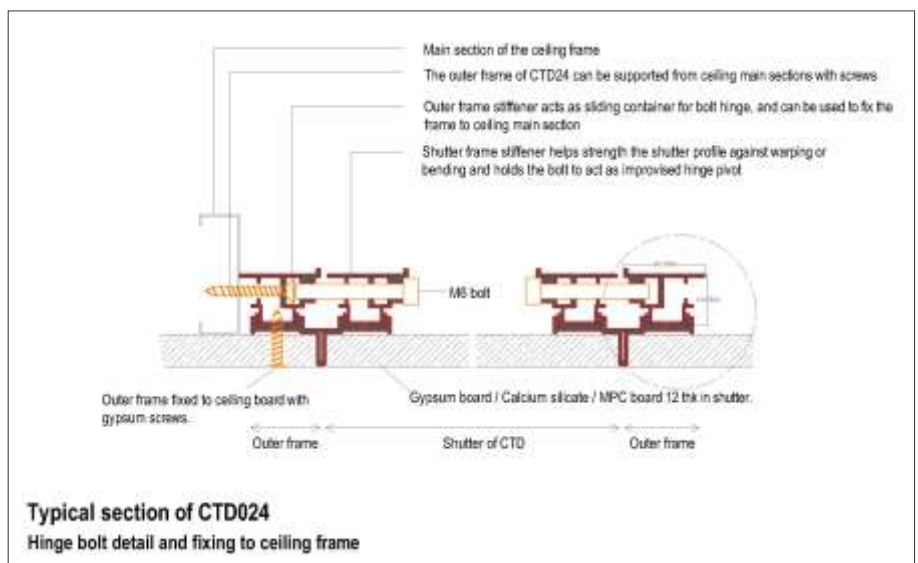
The frames are fabricated as per specified sizes of the client requirement. We can supply very large sizes as well.

GREENPRO certified, made of 6063 aluminium alloy, 100% recycled aluminium - 10% pre-consumer & 90% post-consumer

This system doesn't have flanges and can accommodate 12mm board in access door for a 12mm thick board finished ceiling. The 12mm board can be gypsum board, calcium silicate board, prelaminated particle board, MDF or even cement board like bison board or ACP sheet. Some architects have used laminate finish with grooves in ceiling to achieve wonderful effect as well.

It consists of an Inner Frame and an Outer Frame. Both the frames are completely flexible for any size requirement. Material for the frame is Aluminium and the finish can be anodized or powder coated as desired by the client.

The outer frame of the ceiling trapdoor is supported on the surrounding ceiling frame, or still better, secured to the soffit of the slab with an additional frames work or hangars. The cover panel door can be secured to the outer frame with Allen key system using cleats.



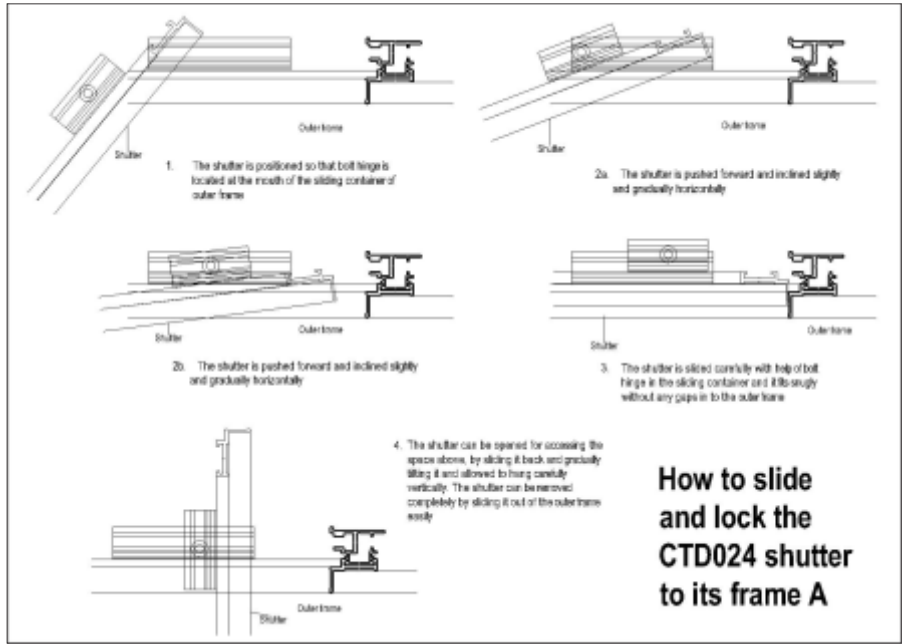
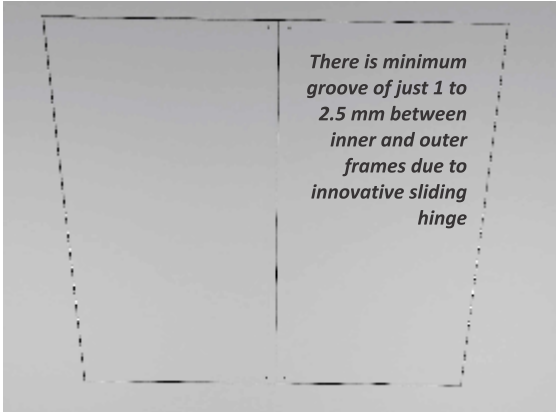
Typical section of CTD024
Hinge bolt detail and fixing to ceiling frame



CTD024 system has been designed to be flexible that it allows quick assembly of versatile components into a complete trap door as per the client size requirements. There are no standard sizes, and we can supply in odd sizes e.g. 457 x 1937 mm etc as per size by client.

The multi-functional versatile stiffener is a proprietary design of IQUBX and can be assembled on outer as well as inner shutter frame as per the strength requirements like the size of shutters and the infill material therein.

This flexible system allows quite big sizes to be assembled and installed with minimum groove of just 2.5 mm, without compromising on strength. We have supplied sizes as big as 3000 x 2400





<https://iqubx.com/access-ceiling-trap-door/>

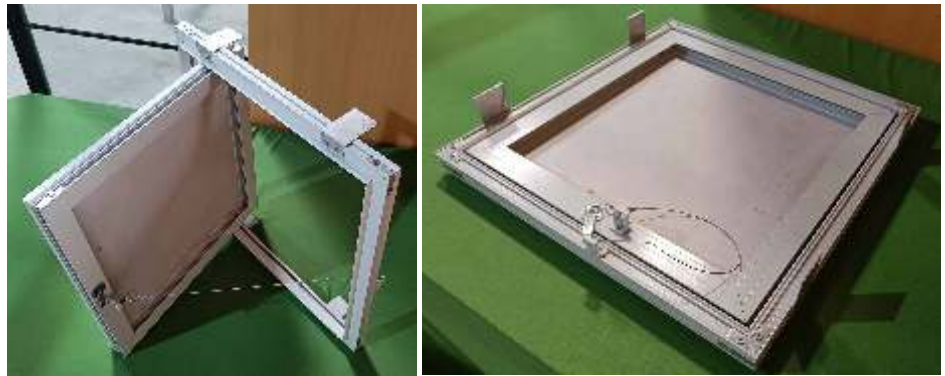
Light weight, strong, modular ceiling trap door supplied in odd and big sizes, with only a thin groove around shutters, with integrated stiffeners



CTD25 is the latest in series ceiling trap door design which is advancement in design and engineering in this field.

Like CTD24, it leaves only 1mm to 2.5 mm groove, is more strong and sturdy and can be installed in gypsum pop ceiling as well.

It doesn't require add on stiffeners and all the functionality of diverse components of CTD24 are built intrinsically into frame profiles.

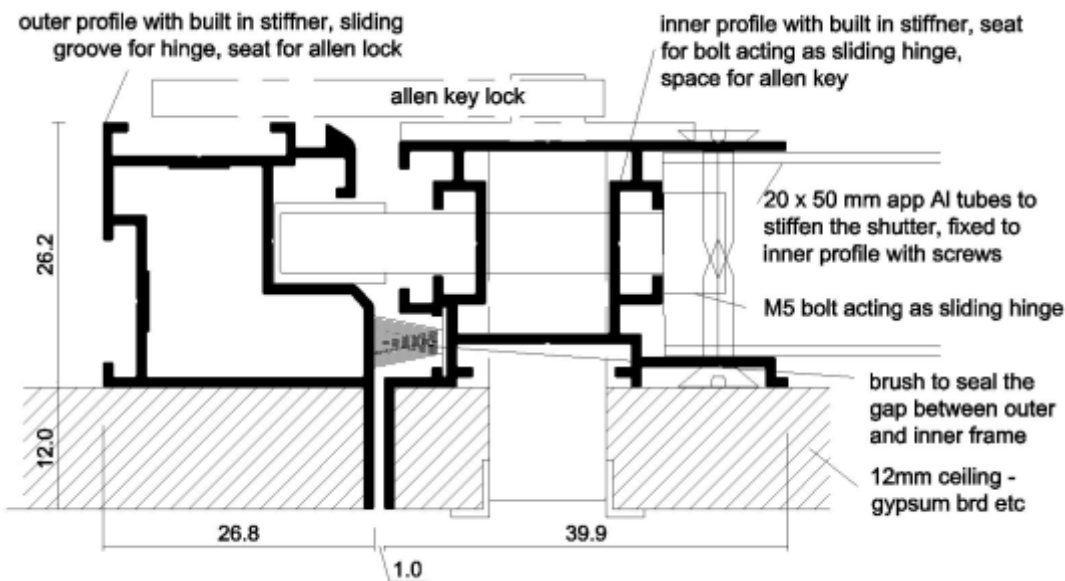


Technical Data

Inner frame 38 x 40 mm
 Outer frame 38 x 27 mm
 Shutter panel material options, thickness 12 mm
 Gypsum board
 Calcium silicate board
 Aluminium composite panel (ACP) with prelam particle board backing
 Prelam particle board
 Wood Polymer composite (WPC)
 Mineral Polymer composite (MPC)
Powder coat / Anodize finish

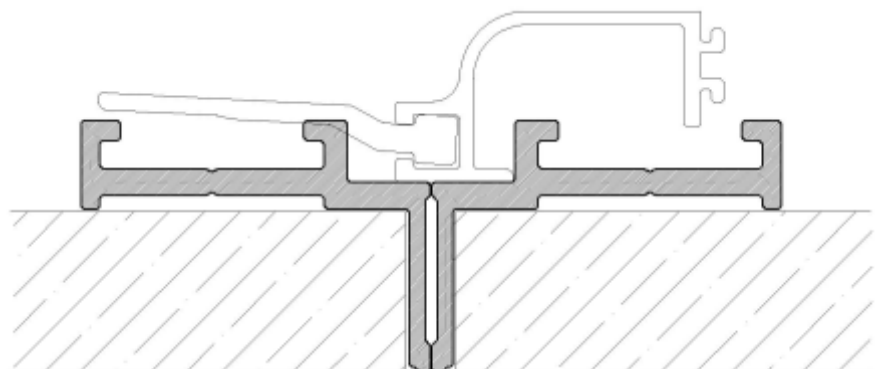
The frames are fabricated as per specified sizes of the client requirement. We can supply very large sizes as well.

GREENPRO certified, made of 6063 aluminium alloy, 100% recycled aluminium - 10% pre-consumer & 90% post-consumer



CEILING TRAP DOORS CTD24A acoustic lay-in type

CTD024A is an acoustic variant with acoustic gasket all around in the shutter channel which closes the gap between the frames completely and reduces sound transmission through groove, from ceiling equipment above. This model doesn't have hinges and has lay-in type shutters





<https://iqubx.com/access-ceiling-trap-door/>

Technical Data

Inner frame section 26 x 20 mm

Outer frame section 18 x 20 mm

Shutter panel material options, thickness 10 mm

Gypsum board

Calcium silicate board

Aluminium composite panel (ACP) with prelam particle board backing

Prelam particle board

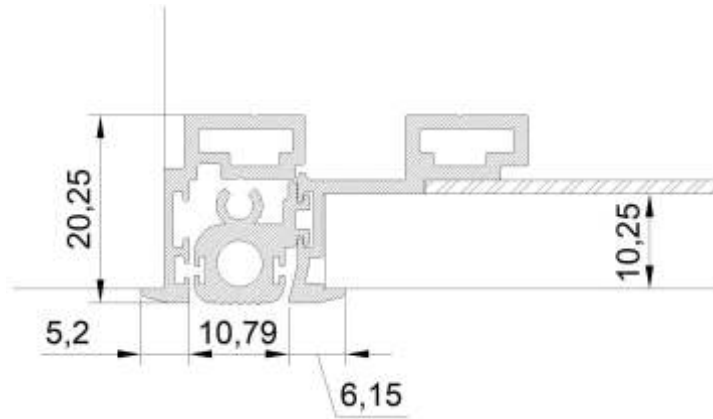
Wood Polymer composite (WPC) board

Mineral Polymer composite (MPC) board

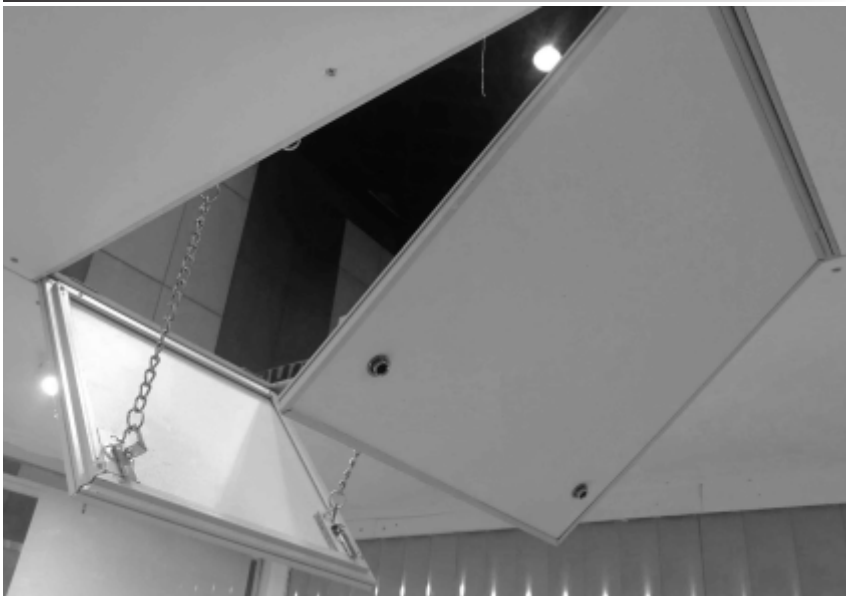
Powder coat / Anodize finish

The frames are fabricated as per specified sizes of the client requirement. We can supply very large sizes as well.

GREENPRO certified, made of 6063 aluminium alloy, 100% recycled aluminium - 10% pre-consumer & 90% post-consumer



Heavy duty, strong, modular ceiling trap door supplied in odd and big sizes, with flanges for locations with frequent access requirement



QUBX CTD023 (patent applied) Ceiling trapdoors are completely modular and flexible in sizes and a **GREENPRO certified** (by IGBC, CII) access panel door system.

This design has **small flanges on inner and outer side**. They can be used for gypsum board ceilings, however, they are highly **recommended for POP false ceiling where fixing it is amazingly easy**, as they are **fitted from below** due to flange system. For same reason, **they can be retrofitted in existing ceilings easily**.

The sturdy frame ensures the trap door system is strong and can be made into big sizes without fear of failing or falling. All the designs and variants can have single or double lids and have proprietary hinges.

CTD023H has a **unique proprietary continuous aluminium extrusion based hinge** which is very strong and make them virtually fail proof and very easy to operate. The hinge is visible but aesthetically pleasing.

CTD023 has **good acoustic insulation** from above ceiling equipment noise since the groove is covered.

Published April 2022



APPOINTING
DISTRIBUTORS
ALL OVER INDIA
& OUTSIDE

IQUBX PVT LTD
Plot No 22, khasra no 27/10,
Industrial Area, Nangli Sakrawati,
Near Campa Cola Factory,
Najafgarh, New Delhi, 110043

www.iqubx.com
<https://www.facebook.com/iqubx/>
<https://www.linkedin.com/company/iqubx/>
<https://www.instagram.com/iqubx/>

Modular Green Building Furniture & Interior Systems

Mktg +91 9999001967, 8506074444, 7065444402 | info@iqubx.com

The only certified Green Products in their categories in India

We design customized solutions

Modular Aluminum Interior products

Glass Partition Systems - Single, Double Glazed, DGU Glass
Demountable Wall Partition & Paneling Systems
Doors and Door Frames
Free standing office cabin partitions & booths
Dry Cladding Readymade Room Partition Walls (Drywall - Stone & Tiles)
Modular Baffle Ceiling Systems (PATENT applied)

Ceiling Trap Doors

Work Stations, Modular table Leg Systems, Modular Partitions, Popup Boxes
Misc: Skirting Board, Chair Rail, carpet transition profile, corner guard

Modular Aluminum Electrical products

Floor Boxes, Floor Junction Boxes (PATENT applied), Raceways
Floor Raceways Trunking Systems
Cable Distribution & Termination - Open Frame Racks - 2 & 4 Poles, D Ring



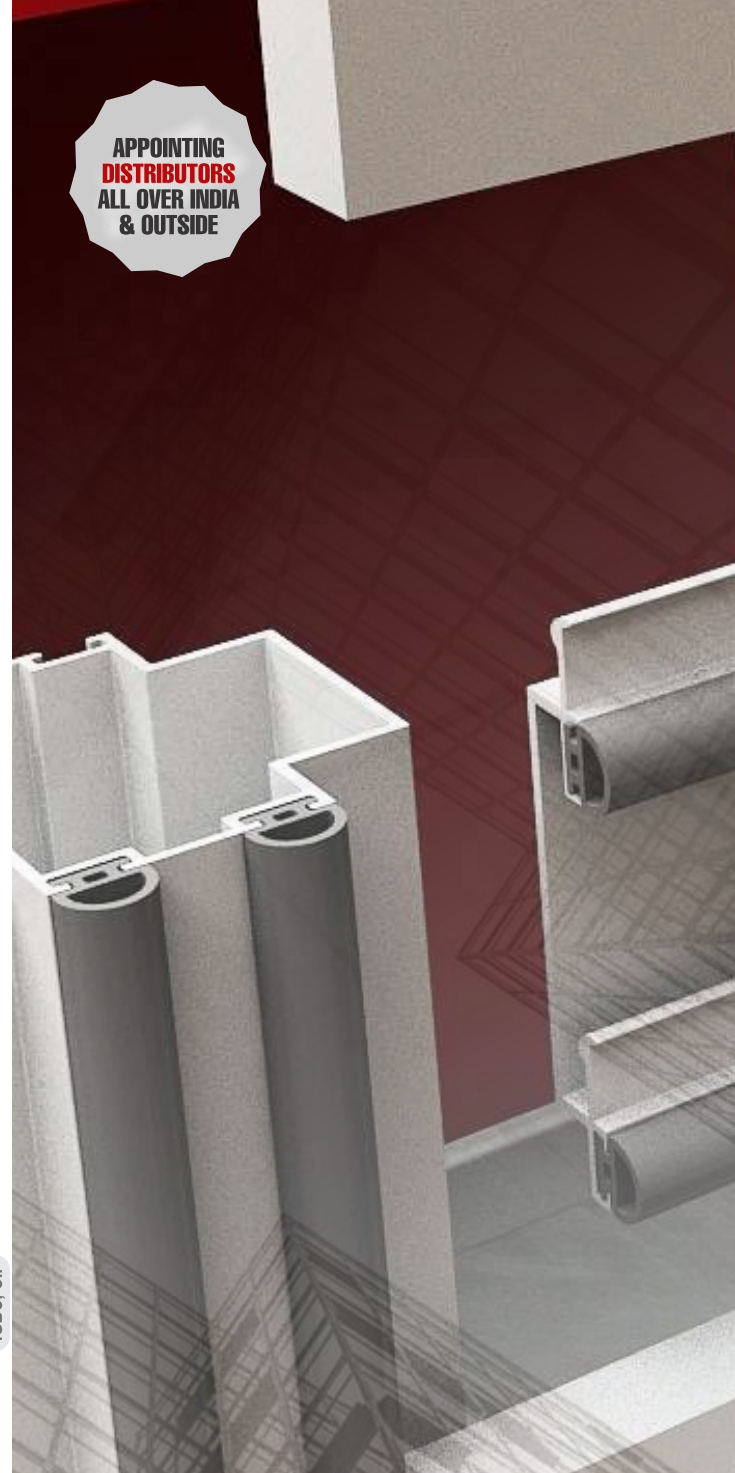
certified by
IGBC, CII

High performance & Functionality **Ultrafast installation** Minimum Human Labour
Highly customizable Modifiable **Relocatable** Minimum components

distributor



view auth
distributor
list online



DESIGNERS & MANUFACTURERS
OF LARGEST NUMBER OF
GREEN CERTIFIED
MODULAR FURNITURE &
INTERIOR SYSTEMS IN INDIA

www.iqubx.com



All copyrights, trademarks, Intellectual property rights, patents reserved in name of IQUBX pvt ltd and its directors. Any copying of logo, images, designs, product designs without explicit written permission of the directors of IQUBX pvt ltd shall be a punishable offence. All the product designs are IPR protected